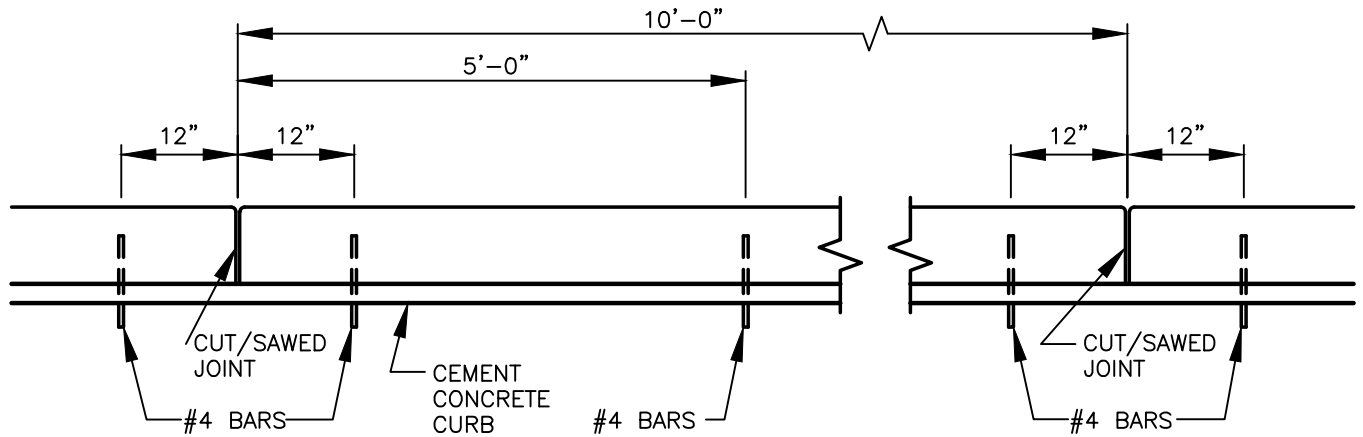


EXTRUDED CONCRETE DOWELED CURB



SPACING OF ANCHOR BARS

NOTES:

1. CONCRETE SHALL BE 3000 PSI MIN. (CL 3000), 3-1/2" SLUMP (MAX.).
2. FOR CONCRETE CURBS, 3/8" EXPANSION JOINTS SHALL BE PLACED ON BOTH SIDES OF CATCH BASINS, AT TOPS OF DRIVEWAYS, ALL CHANGES IN DIRECTION, OR AS DIRECTED BY INSPECTOR. 1 1/2" CONTRACTION JOINTS TO BE PLACED AT 10' INTERVALS. SEE **CONCRETE JOINTS DETAIL T05-02**.
3. THE PAVEMENT SHALL BE DRY AND CLEANED OF LOOSE AND DELETERIOUS MATERIAL PRIOR TO PLACEMENT.
4. CONTRACTOR TO PROTECT EXTRUDED CURB UNTIL FULLY CURED.
5. TO BE USED FOR TEMPORARY USE OR ENGINEERS APPROVAL.

I:\CITYPPS\AUTOCAD\STD_DETAILS\DRAWING_FILES\T01-02

REV. NO.	DATE	BY	APPR	
1	8/04	RAW	MHA	
2	3/05	RAW	MHA	
3	2/07	RAW	MHA	
4	8/08	RAW	MHA	
5	7/14	RAW	MHA	
6	9/21	RAW	MHA	

PUBLIC WORKS – STREETS AND TRANSPORTATION

APPROVED BY: *M.H. Sedalla*
ENGINEER MANAGER

APPROVED DATE: 9/1/2021



EXTRUDED CONCRETE DOWELED CURB	STANDARD PLAN NUMBER T01-02
-----------------------------------	-----------------------------------