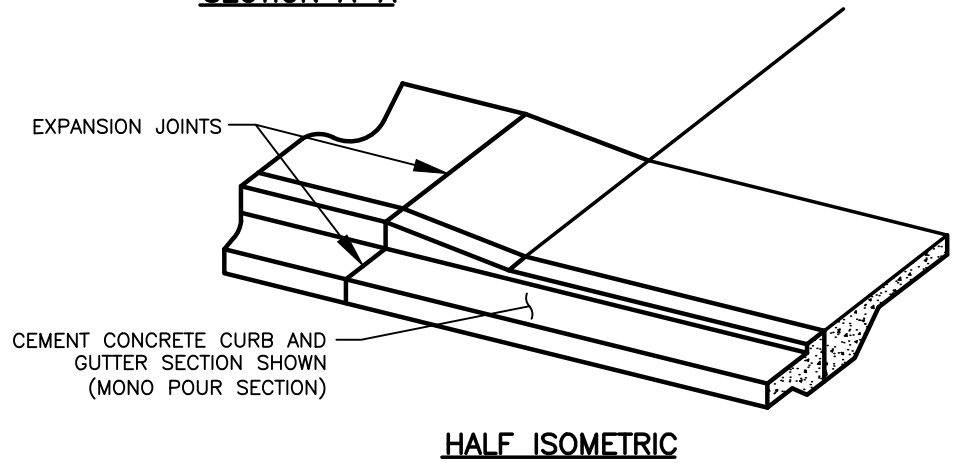


SECTION A-A



NOTES:

1. CONCRETE SHALL BE CLASS 4000 MIN.
2. CURB TO BE BRUSHED FINISHED. ALL EXISTING EDGES SHALL BE SAWCUT.
3. 1/2" VERTICAL LIP ACROSS APPROACH.
4. SUBGRADE SHALL BE COMPACTED TO 95% MAX DRY DENSITY.
5. MIN. 3" DEPTH CSBC, COMPACTED TO 95% OF MAX DRY DENSITY.
6. SEE **STANDARD DETAIL T05-02** FOR CONCRETE JOINTS.

I:\CITYPPS\AUTOCAD\STD_DETAILS\DRAWING_FILES\T01-06

REV NO.	DATE	BY	APPR
1	2/21	OIS	MHA
2	9/21	RAW	MHA

PUBLIC WORKS – STREETS AND TRANSPORTATION

APPROVED BY: *M.H. Pedulla*
ENGINEER MANAGER

APPROVED DATE: 9/1/2021



CONCRETE DRIVEWAY
CUT DETAIL

STANDARD PLAN
NUMBER
T01-06