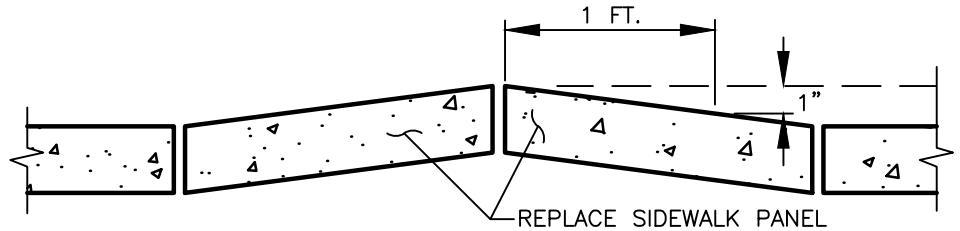
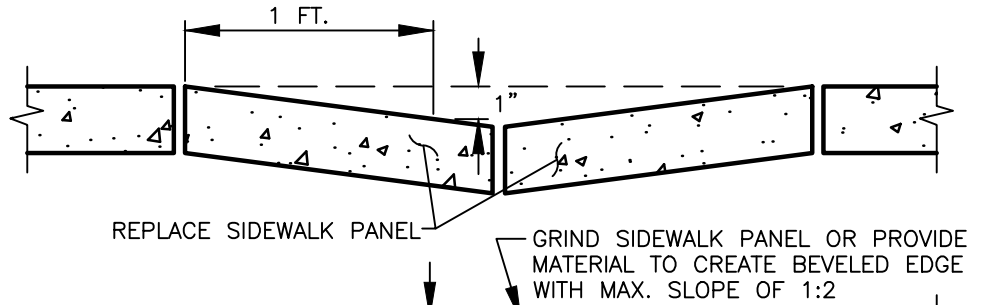


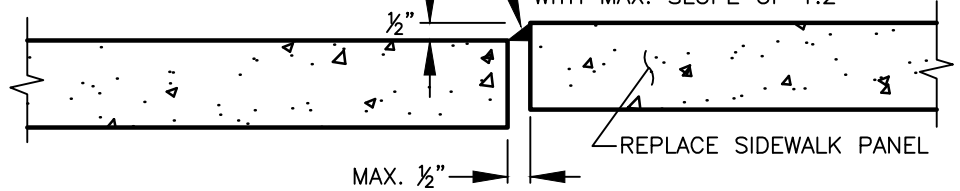
1) RAISED SIDEWALK
(REPLACE PANELS)



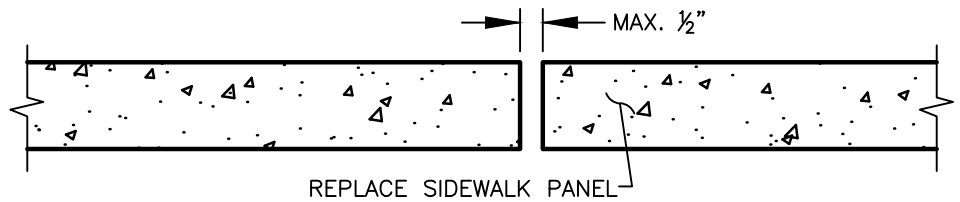
2) SUNKEN SIDEWALK
(REPLACE PANELS)



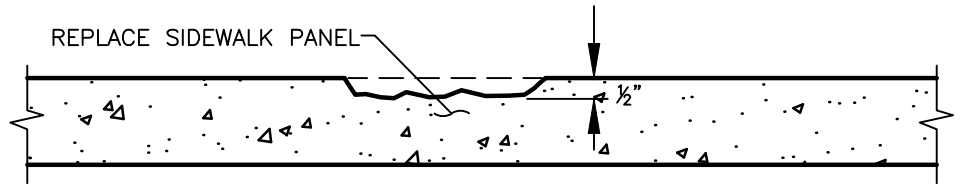
3) STEP SEPARATIONS
(REPLACE PANEL OR PROVIDE BEVELED EDGE AT 1:2 SLOPE)



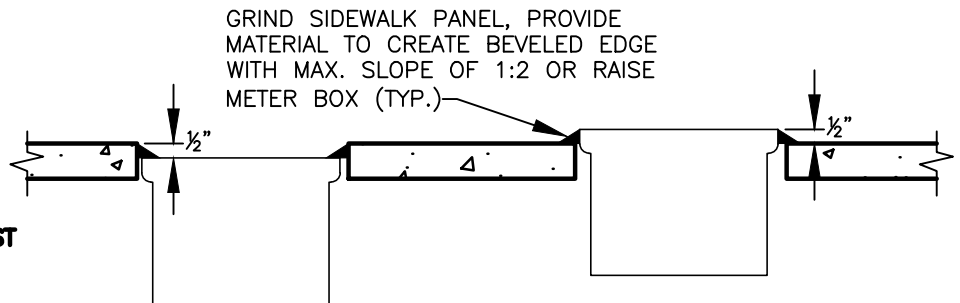
4) OPENING IN SIDEWALK
(REPLACE PANEL)



5) SPALLING OF SIDEWALK
(REPLACE DAMAGED PANEL)



6) METER BOXES
(REPLACE PANEL, PROVIDE BEVELED EDGE AT 1:2 SLOPE OR ADJUST METER BOXES TO MEET SIDEWALK EDGE)



7) BROKEN CURB

8) OTHER HAZARD

NOTE:

1. PAVERS SHALL FOLLOW THE SAME CRITERIA AS CONCRETE SIDEWALKS.
2. REPAIR OPTIONS ARE IN PARENTHESIS (xxx).

I:\CITYPPS\AUTOCAD\STD_DETAILS\DRAWING_FILES\T02-01D

REV NO.	DATE	BY	APPR
1	2/07	RAW	MHA
2	8/08	RAW	MHA
3	7/14	RAW	MHA
4	9/21	RAW	MHA

PUBLIC WORKS – STREETS AND TRANSPORTATION

APPROVED BY: *M.H. Pedulla*
ENGINEER MANAGER

APPROVED DATE: 9/1/2021



SIDEWALK REPLACEMENT
MIN. CRITERIA TO ENSURE ADA
COMPLIANCE AND REPAIR OPTIONS

STANDARD PLAN
NUMBER
T02-01D