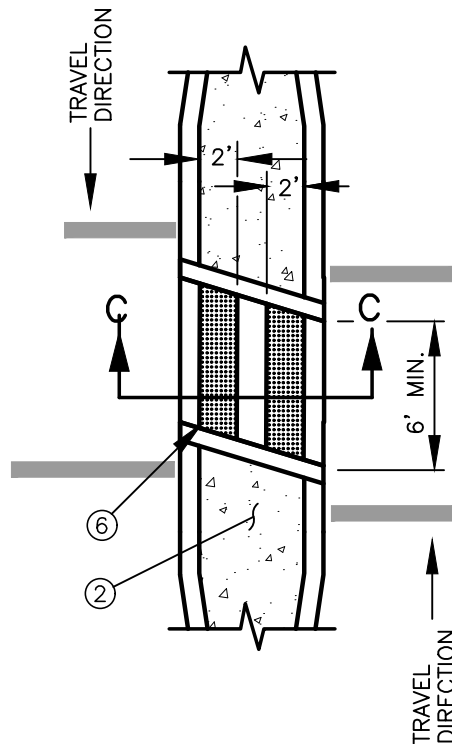


TYPE 1 PEDESTRIAN REFUGE – MID-BLOCK



**ANGLED CUT OUT
MEDIAN ALTERNATIVE**

SEE TYPICAL PEDESTRIAN
REFUGE ISLAND SECTIONS ON
COV STD. PLAN T02-17C.
SEE TYPICAL PEDESTRIAN
REFUGE ISLAND NOTES ON
COV STD. PLAN T02-17D.

I:\CITYPPS\AUTOCAD\STD_DETAILS\DRAWING_FILES\T02-17A

REV. NO.	DATE	BY	APPR	PUBLIC WORKS – STREETS AND TRANSPORTATION
1	3/06	RAW	MHA	
2	2/07	RAW	MHA	
3	8/08	RAW	MHA	
4	7/14	RAW	MHA	
5	3/17	RAW	MHA	
6	9/21	RAW	MHA	

APPROVED BY: *M.H. Pedraza*
ENGINEER MANAGER
APPROVED DATE: 9/1/2021



TYPE 1 PEDESTRIAN
REFUGE ISLAND
MID-BLOCK

STANDARD PLAN
NUMBER
T02-17A