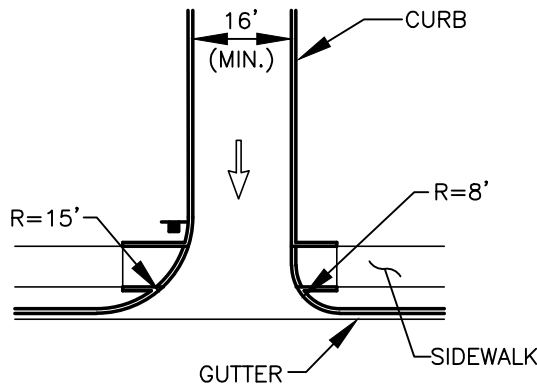
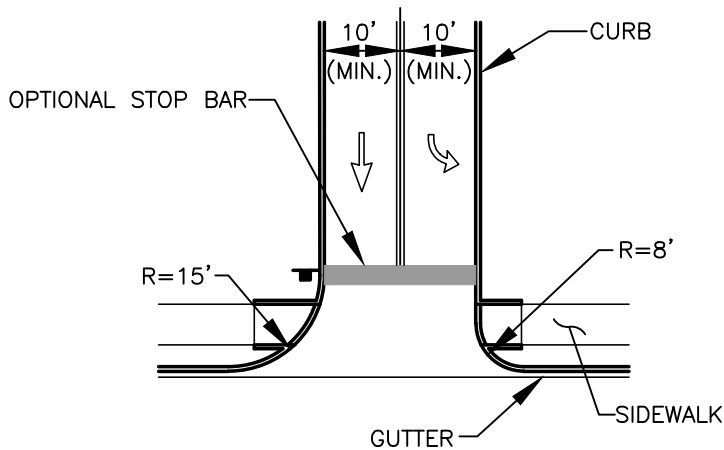


ONE-WAY INGRESS (CI-1)



ONE-WAY EGRESS (CI-2)



TWO LANES ONE-WAY EGRESS (CI-3)

NOTES:

1. MINIMUM DRIVE LENGTH IS 20 FEET, MEASURED FROM THE BACK OF SIDEWALK TO THE ENTRANCE OF THE OFF STREET PARKING AREA.
2. DIMENSIONS MAY VARY WITH ANALYSIS OF THE TURNING MOVEMENTS OF THE TYPICAL VEHICLE.

I:\CITYPPS\AUTOCAD\STD_DETAILS\DRAWING_FILES\T04-10

REV NO.	DATE	BY	APPR	PUBLIC WORKS - STREETS AND TRANSPORTATION
1	3/06	RAW	MHA	
2	2/07	RAW	MHA	
3	8/08	RAW	MHA	
4	7/14	RAW	MHA	
5	3/17	RAW	MHA	APPROVED BY: <i>M.H. Sedalla</i> ENGINEER MANAGER
6	9/21	RAW	MHA	APPROVED DATE: 9/1/2021



COMMERCIAL/HIGH VOLUME ONE-WAY DRIVEWAYS
--

STANDARD PLAN NUMBER T04-10
