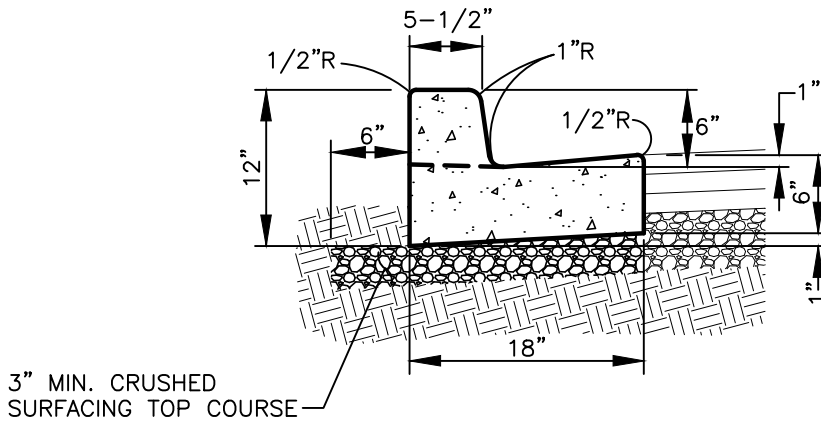


LEGEND:

Ⓝ ORDER OF WORK.

EXISTING TYPE E-1 CURB



Ⓝ PROPOSED TYPE A-1 CURB AND GUTTER
 (FOR ADDITIONAL INFORMATION SEE **CONCRETE CURB**
DETAIL T01-01A)

NOTES:

- IF HMA IS DAMAGED OR UNDERMINED WHILE REMOVING EXISTING CURB, SAWCUTTING AND PAVEMENT RESTORATION IS REQUIRED, SEE **RESTORATION/WIDENING AT CURBS DETAIL T05-01A** AND **PAVEMENT RESTORATION LIMITS DETAIL T05-01B**.
- COMPACT SUBGRADE AND CRUSHED SURFACING TOP COURSE TO 95% OF MAXIMUM DRY DENSITY (3" MIN. DEPTH).

I:\CITYPPS\AUTOCAD\STD_DETAILS\DRAWING_FILES\T05-14

REV NO.	DATE	BY	APPR
1	8/08	RAW	MHA
2	7/14	DJM	MHA
3	3/17	RAW	MHA
4	4/18	RAW	MHA
5	9/21	RAW	MHA

PUBLIC WORKS – STREETS AND TRANSPORTATION

APPROVED BY: *M.H. Sedalla*
 ENGINEER MANAGER

APPROVED DATE: 9/1/2021



OPTIONAL E-1 CURB REPLACEMENT WITH A-1 CURB AND GUTTER	STANDARD PLAN NUMBER T05-14
--	--------------------------------