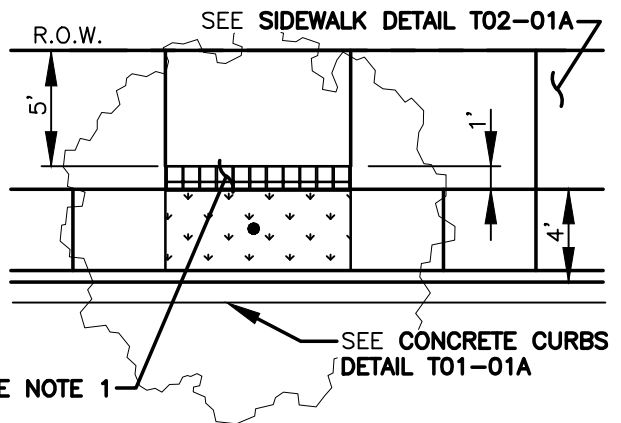
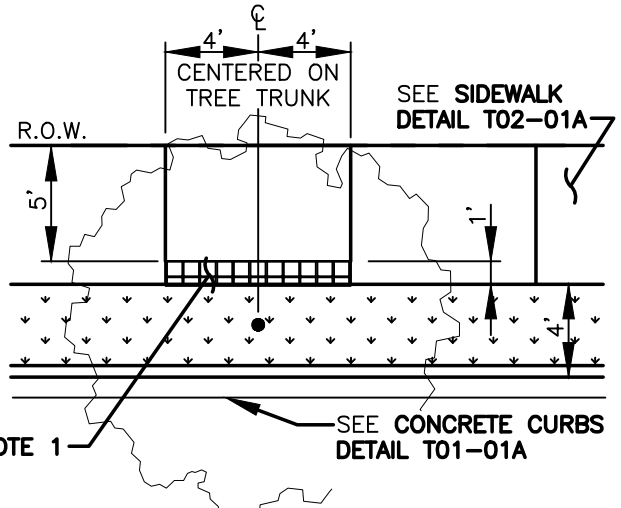


BOSQUE FEATURE: PAVER AT TREE WELL
NO SCALE



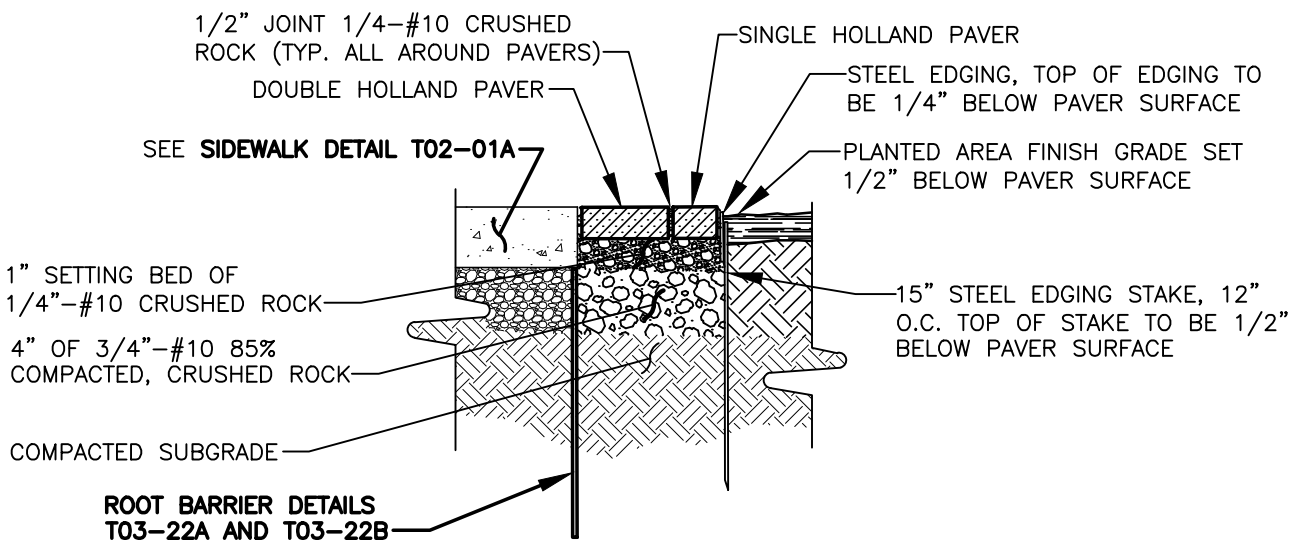
GREEN NECKLACE NORTH AND COMMERCIAL STREET: PAVER AT TREE WELL
NO SCALE



GREEN NECKLACE NORTH: PAVER AT PLANTER STRIP
NO SCALE

NOTE:

- (1) ROW EACH OF SINGLE AND DOUBLE HOLLAND PAVERS, LAID AS SHOWN, EQUAL SPACING. SEE SECTION A-A THIS DRAWING. COLOR: CHARCOAL WITH STANDARD FINISH.



SECTION A-A
NO SCALE

I:\CITYPPS\AUTOCAD\STD_DETAILS\DRAWING_FILES\T06-07

REV NO.	DATE	BY	APPR	
1	8/08	RAW	MHA	
2	7/14	RAW	MHA	
3	3/17	RAW	MHA	
4	9/21	RAW	MHA	

PUBLIC WORKS - STREETS AND TRANSPORTATION

APPROVED BY: *M.H. Pedraza*
ENGINEER MANAGER

APPROVED DATE: 9/1/2021



FOURTH PLAIN BOULEVARD
PAVER AT TREE WELL
AND PLANTER STRIP

STANDARD PLAN NUMBER
T06-07