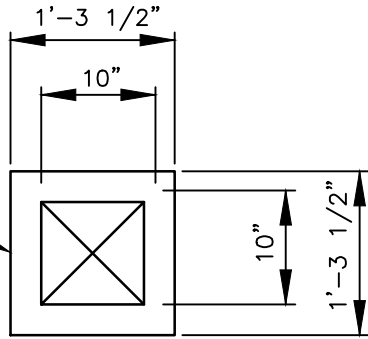
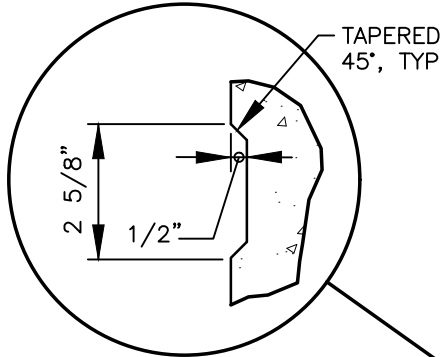


1-#4 BAR WRAPPED



FOOTING



TAPERED
45°, TYP

6" DIA. CIRCLE RECESSED

3/4" SCH. 40 STEEL PIPE, 1.05" O.D. x 4'-0".
PRECAST 2'-0" INTO BOLLARD

4-#4 BAR TYP HOLD IN 2" ALL SIDES

CONCRETE WITH SAND BLAST FINISH

SEE PLANS FOR TYPE OF MATERIAL

EXPANSION JOINT T05-02

2-5/8" INSIDE TAPERED

POUR TOP OF FOOTING
LEVEL WITH FINISH GRADE,
WITH SMOOTH TROWEL
FINISH AND WITH 1/4"
RADIUS EDGES

EPOXY BOND UNDER BOLLARD (TYP.)

1-#4 BAR WRAPPED (SEE DETAIL ABOVE)

1 1/4" SCH. 80 PVC PIPE SLEEVE,
(1.278" I.D.) x 2'-6". INSTALL TRUE VERTICAL

2-#4 BAR X 2'-0"

3" CLEAR

4" MIN. DEPTH CRUSHED
SURFACING TOP COURSE

COMPACT SUBGRADE AND CRUSHED
SURFACING TOP COURSE TO 95%
MAXIMUM DRY DENSITY

1'-3 1/2"

NOTE:

BOLLARD IS DESIGNED TO BE FIXED BUT REPLACEABLE. FOR REMOVABLE BOLLARD, OMIT EPOXY BOND.

I:\CITYPPS\AUTOCAD\STD_DETAILS\DRAWING_FILES\T07-02

REV NO.	DATE	BY	APPR	PUBLIC WORKS - STREETS AND TRANSPORTATION
1	3/06	RAW	MHA	APPROVED BY: <i>M.H. Pedulla</i> ENGINEER MANAGER APPROVED DATE: 9/1/2021
2	2/07	RAW	MHA	
3	8/08	RAW	MHA	
4	7/14	RAW	MHA	
5	4/18	RAW	MHA	
6	9/21	RAW	MHA	



PRECAST CONCRETE
BOLLARD

STANDARD PLAN
NUMBER
T07-02