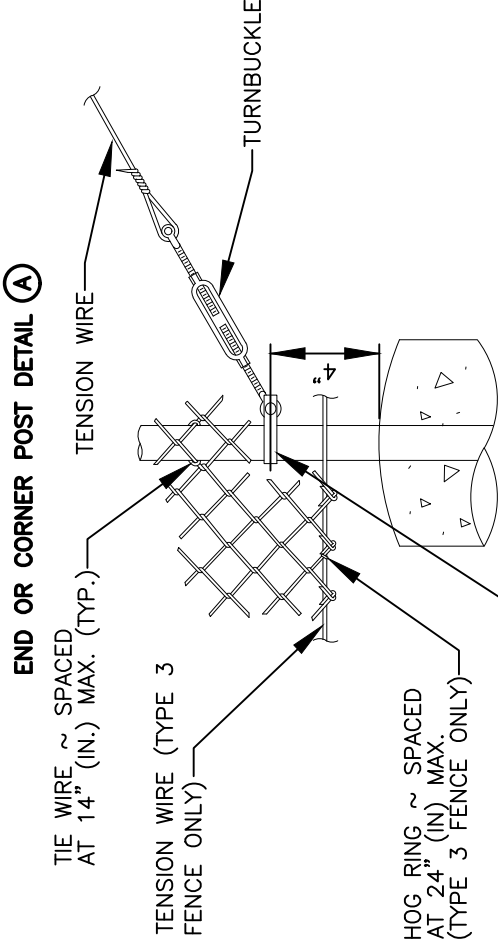


**END OR CORNER POST DETAIL (A)**



**PULL POST (AT END OR CORNER) DETAIL (B)**



**BRACE POST DETAIL (C)**



**PULL POST (WITHIN RUN) DETAIL (D)**



**METHOD OF FASTENING STRETCHER BAR TO POST DETAIL (E)**

TIE WIRE ~ SPACED AT 14" (IN.) MAX. (TYP.)

TENSION WIRE (TYPE 3 FENCE ONLY)

HOG RING ~ SPACED AT 24" (IN.) MAX. (TYPE 3 FENCE ONLY)

BRACE BAND WITH CARRIAGE BOLT AND NUT

TURNBUCKLE

POST

STRETCHER BAR

CHAIN LINK FENCE FABRIC

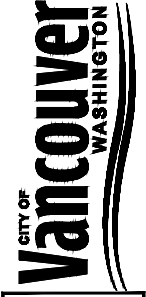
FABRIC BAND WITH CARRIAGE BOLT AND NUT ~ SPACED 15" (IN) MAX.

**METHOD OF FASTENING STRETCHER BAR TO POST DETAIL (E)**

REV. NO.	DATE	BY	APPROVED BY
1	3/16	RAW	MPHA
2	9/21	RAW	MPHA

PUBLIC WORKS - STREETS AND TRANSPORTATION

APPROVED BY: *M. H. ...* ENGINEER MANAGER 9/1/2021



CHAIN LINK FENCE BLOW-UP DETAILS TYPES 3 AN 4

STANDARD PLAN NUMBER T07-07B