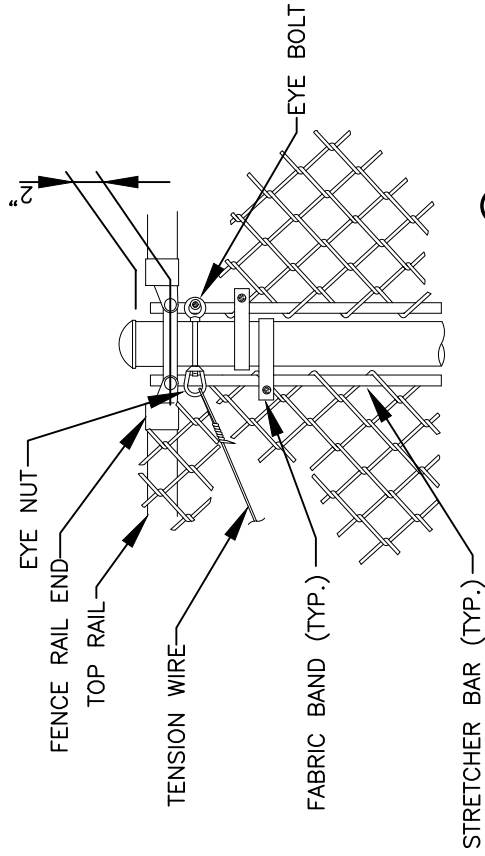
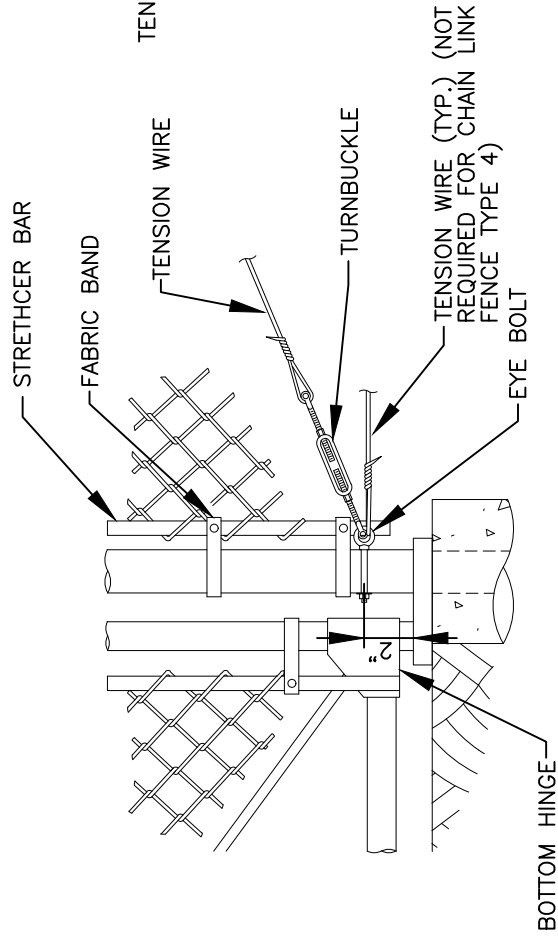


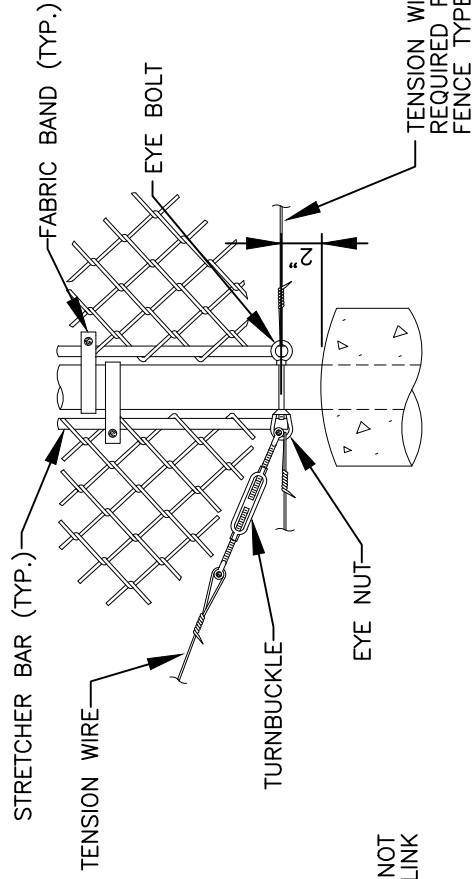
GATE POST DETAIL (A)



PULL POST DETAIL (B)



GATE POST DETAIL (C)



PULL POST DETAIL (D)

REV. NO.	DATE	BY	APP'D
1	5/16	RAW / MHA	
2	9/21	RAW / MHA	

PUBLIC WORKS - STREETS AND TRANSPORTATION

APPROVED BY: *M. H. Anderson*  
 ENGINEER MANAGER  
 APPROVED DATE: 9/1/2021



CHAIN LINK GATE  
 BLOW-UP DETAILS  
 TYPES 3 AND 4

STANDARD PLAN NUMBER

T07-08C