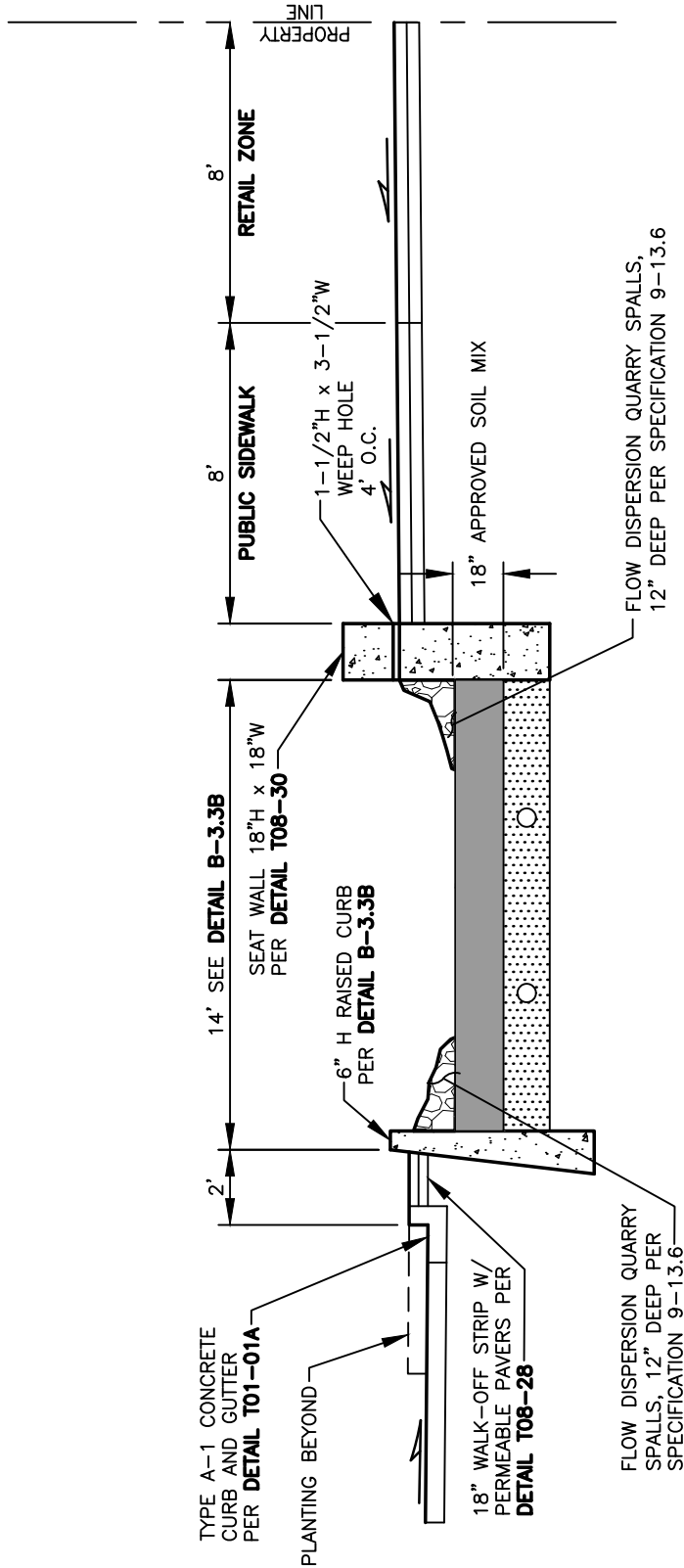


I:\CITYAPPS\AUTOCAD\STD_DETAILS\DRAWING_FILES\T08-24



NOTE: FOR INLETS AND FLOW DISPERSION,
SEE DETAILS B-2.1 AND B-2.2.

REV NO.	DATE	BY	APPR
1	9/21	RAW	MHA

**PUBLIC WORKS – STREETS
AND TRANSPORTATION**

APPROVED BY: *M.H. Sedalla*
ENGINEER MANAGER

APPROVED DATE: 9/1/2021



HEIGHTS DISTRICT
REDEVELOPMENT
DEEP RETAIL LOOP BIoretention

STANDARD PLAN
NUMBER
T08-24