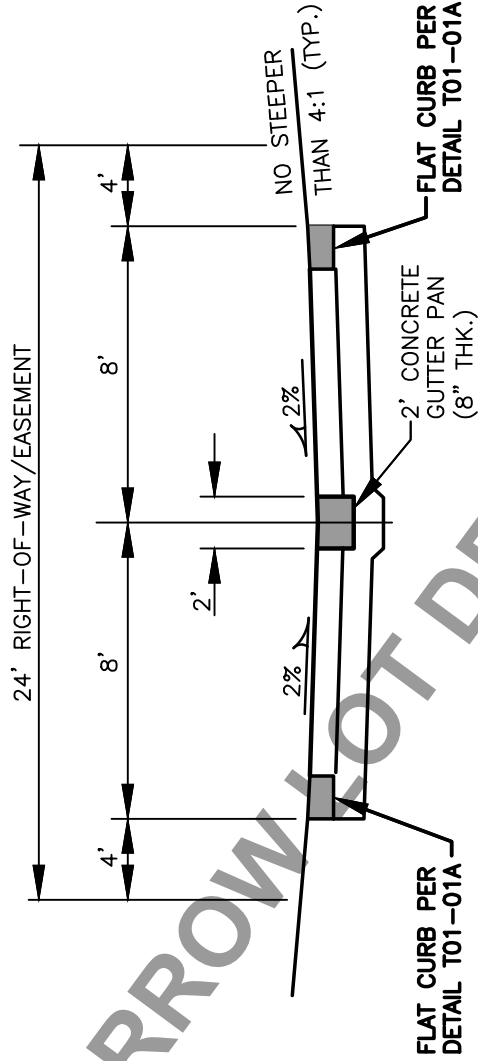


FOR NARROW LOT DESIGN PROJECTS ONLY



AASHTO SOIL TYPE	ASPHALT THICKNESS	BASE ROCK THICKNESS
A-1 TO A-5	0.40'	0.75'
A-6	0.40'	0.85'
A-7	0.45'	1.25'
OTHER	NO SECTION ESTIMATED	

NOTES:

1. ADDITIONAL RIGHT-OF-WAY MAY BE REQUIRED AT CURVES AND CONNECTIONS TO STREETS.
2. SEE **NARROW LOT ALLEY PLAN DETAIL T10-25A.**
3. SEE STANDARD PLAN T10-00 FOR GENERAL NOTES.

REV NO.	DATE	BY	APPR
1	8/08	RAW	MHA
2	7/14	RAW	MHA
3	3/17	RAW	MHA
4	7/19	RAW	MHA
5	2/21	OIS	MHA
6	9/21	RAW	MHA

PUBLIC WORKS – STREETS AND TRANSPORTATION

APPROVED BY: *M.H. Sedalla*
ENGINEER MANAGER

APPROVED DATE: 9/1/2021



NARROW LOT ALLEY SECTION	STANDARD PLAN NUMBER T10-25B
-----------------------------	------------------------------------