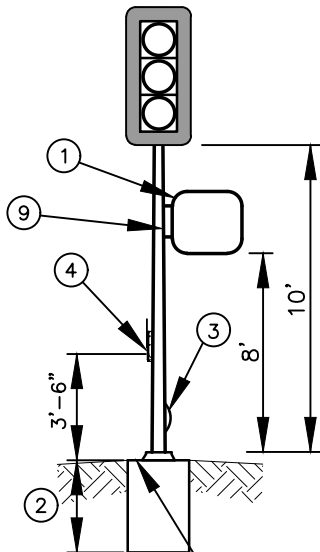
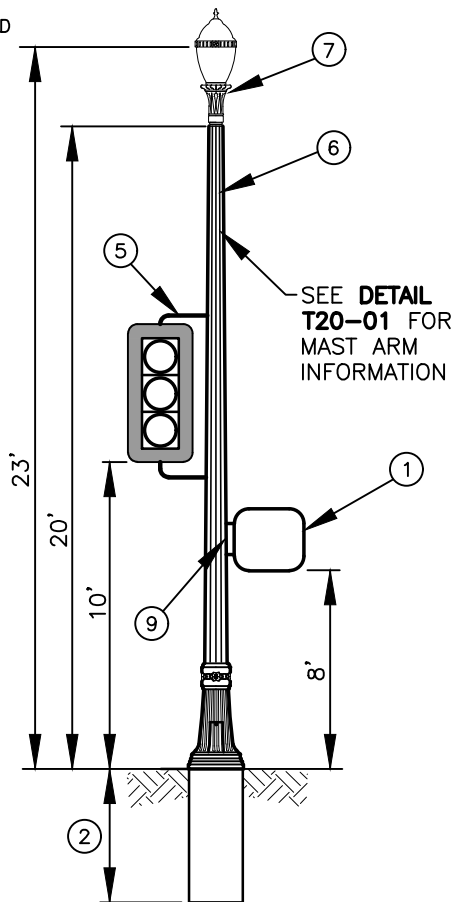


TYPE E MOUNT

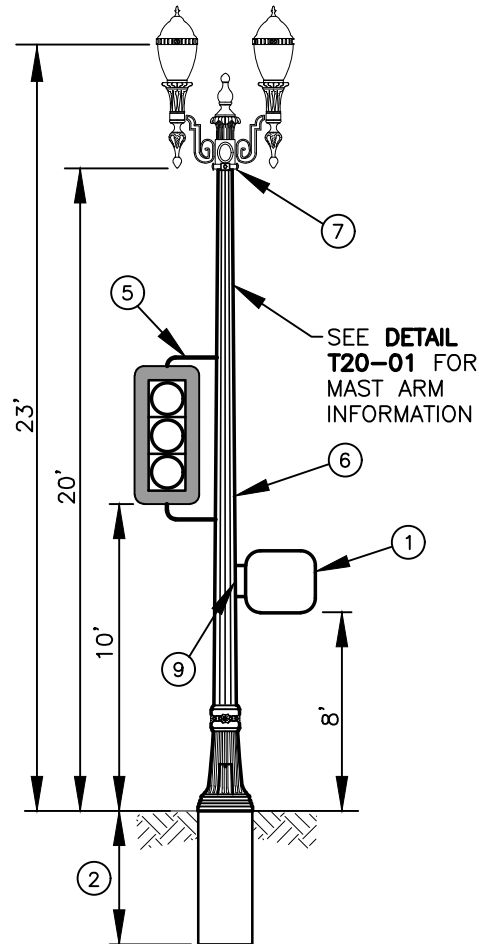


TYPE I

TOP OF SIDEWALK OR ADA RAMP LANDING



TYPE I D



TYPE I DT

NOTES:

- ① INSTALL PEDESTRIAN SIGNAL AT ORIENTATION PER PLANS WITH TYPE E MOUNTING ON SIDE OF POLE (SEE T20-09D).
- ② SEE TYPE PPB, TYPE PS AND TYPE I TRAFFIC SIGNAL POLE FOUNDATION DETAIL T20-16 AND SPECIFICATIONS FOR FOUNDATION INFORMATION.
- ③ PROVIDE COVERED HAND HOLE.
- ④ INSTALL ADA PEDESTRIAN AUDIBLE PUSH BUTTON ASSEMBLY WITH ARROW POINTING TOWARDS CROSSWALK. SEE STANDARD PLANS T20-09B AND T20-09E. SEE PLANS FOR ORIENTATION.
- ⑤ INSTALL SIGNAL ON SIDE OF POLE WITH TYPE K MOUNT (SEE WSDOT STANDARD PLAN J-75.10-xx).
- ⑥ USE TYPE DT LIGHT STANDARD FOR TYPE I D AND TYPE I DT TRAFFIC SIGNAL STANDARDS.
- ⑦ PROVIDE 110 V AC RECEPTACLE.
- ⑧ SLIPFITTER AT TOP OF POLE.
- ⑨ SEE WSDOT STANDARD PLAN J-75.10-xx FOR TYPE E MOUNT.

DRAFT

06/29/2022

I:\CITYPPS\AUTOCAD\STD_DETAILS\DRAWING_FILES\T20-04

REV NO.	DATE	BY	APPR	AGE
1	8/08	RAW	CJC	AGE
2	7/14	RAW	CJC	
3	4/18	RAW	CJC	
4	7/19	RAW	CJC	
5	9/21	RAW	CJC	
6		RAW	CJC	

PUBLIC WORKS – STREETS AND TRANSPORTATION

APPROVED BY: _____
TRAFFIC ENGINEER MANAGER

APPROVED DATE: _____



TYPE I, TYPE I-D AND TYPE I-DT TRAFFIC SIGNAL STANDARD	STANDARD PLAN NUMBER T20-04
--	--------------------------------