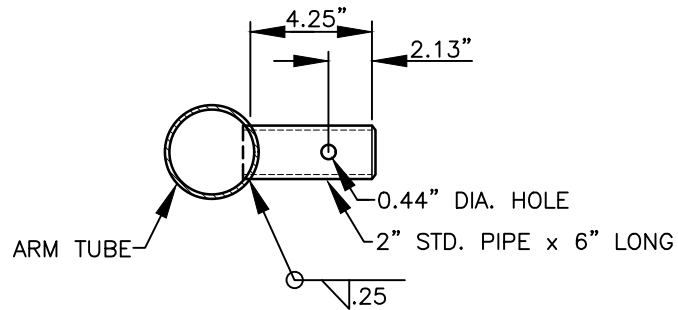
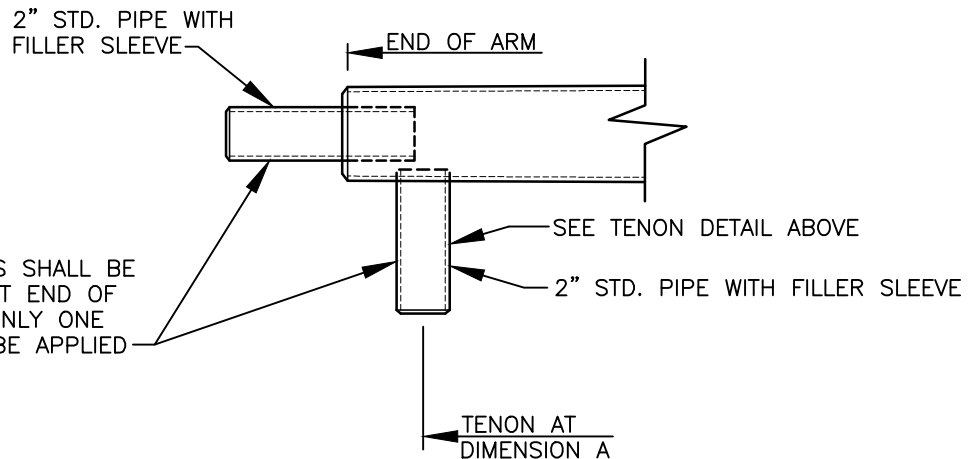
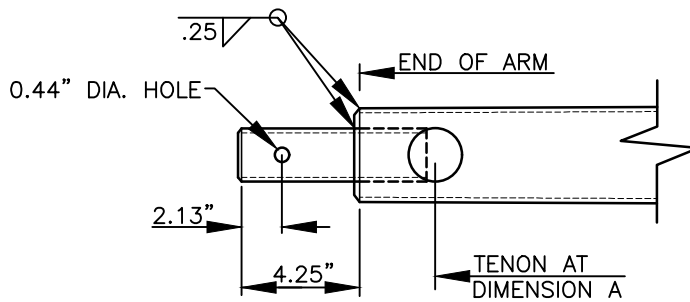


COUPLING DETAIL



TENON DETAIL



TWO TENONS SHALL BE INSTALLED AT END OF ARM, BUT ONLY ONE LOAD WILL BE APPLIED

NOTE:

ALL UNUSED TENONS SHALL BE COVERED WITH UV RESISTANT CAPS.

END OF ARM TENONS DETAIL

I:\CITYPPS\AUTOCAD\STD_DETAILS\DRAWING_FILES\T20-13

REV NO.	DATE	BY	APPR	AGE
1	3/06	RAW	AGE	
2	2/07	RAW	AGE	
3	8/08	RAW	AGE	
4	1/15	RAW	AGE	
5	7/19	RAW	CJC	
6	9/21	RAW	CJC	

PUBLIC WORKS – STREETS AND TRANSPORTATION

APPROVED BY: *[Signature]*
TRAFFIC ENGINEER MANAGER

APPROVED DATE: 9/1/2021



END OF ARM
TENON AND
COUPLING CONNECTION

STANDARD PLAN
NUMBER
T20-13