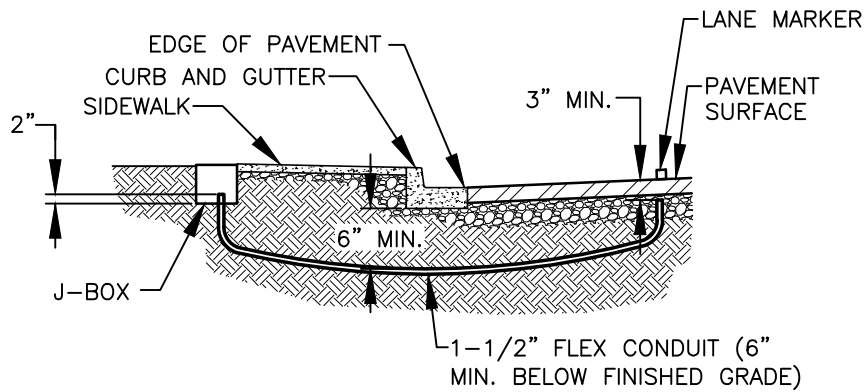


**LOOP STUB-OUT DETAIL**



**LANE LOOP STUB-OUT DETAIL**

I:\CITYPPS\AUTOCAD\STD\_DETAILS\DRAWING\_FILES\T20-31

REV NO.	DATE	BY	APPR	AGE
1	8/08	RAW	AGE	
2	3/06	RAW	AGE	
3	2/07	RAW	AGE	
4	8/08	RAW	AGE	
5	1/15	RAW	CJC	
6	9/21	RAW	AGE	

PUBLIC WORKS – STREETS AND TRANSPORTATION

APPROVED BY: *[Signature]*  
TRAFFIC ENGINEER MANAGER

APPROVED DATE: 9/1/2021



LOOP CONSTRUCTION DETAILS	STANDARD PLAN NUMBER T20-31
---------------------------	--------------------------------