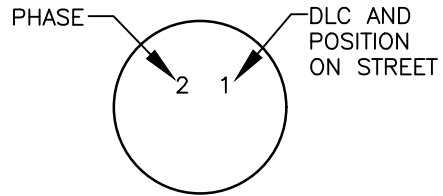
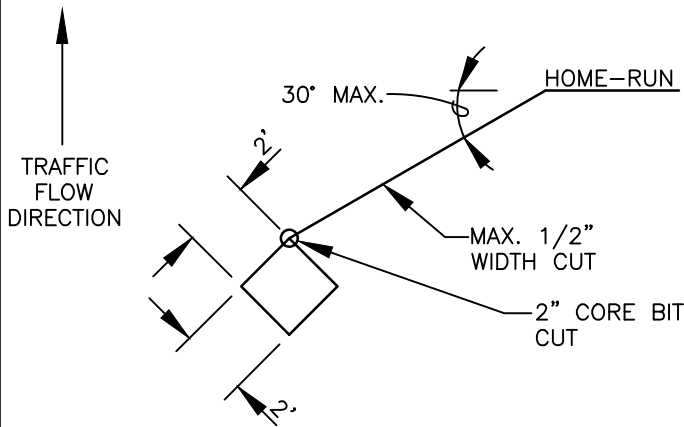


BIKE LANE

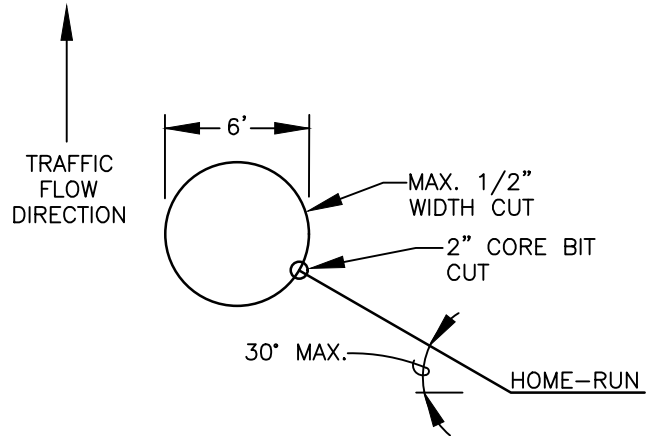


TRAVEL LANE

LOOP NUMBERING

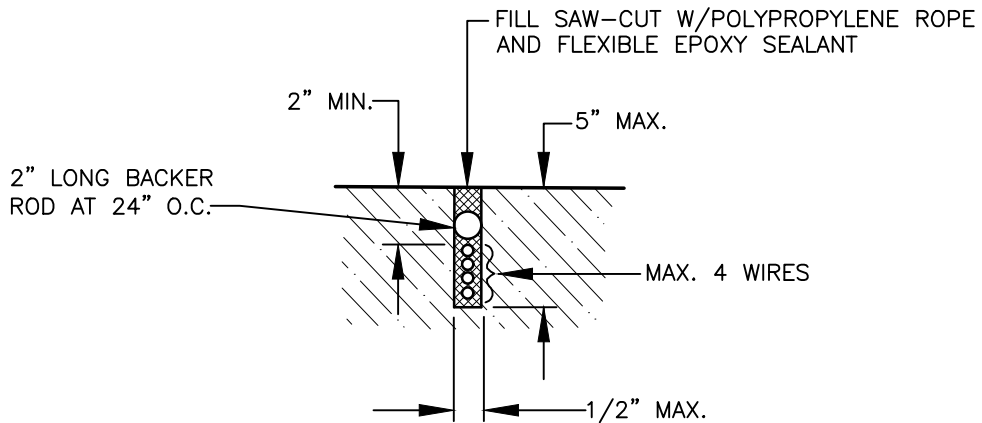


BIKE LANE



TRAVEL LANE

LOOP DETECTOR CONFIGURATION



SAWCUT DETAIL

I:\CITYPPS\AUTOCAD\STD_DETAILS\DRAWING_FILES\T20-33

REV NO.	DATE	BY	APPR	AGE
1	8/04	RAW		AGE
2	3/06	RAW		AGE
3	2/07	RAW		AGE
4	8/08	RAW		AGE
5	1/15	RAW	CJC	
6	9/21	RAW	CJC	

PUBLIC WORKS – STREETS AND TRANSPORTATION

APPROVED BY: *[Signature]*
TRAFFIC ENGINEER MANAGER

APPROVED DATE: 9/1/2021



<p>LOOP NUMBERING LOOP DETECTOR CONFIGURATION AND SAWCUT DETAILS</p>	<p>STANDARD PLAN NUMBER T20-33</p>
--	--