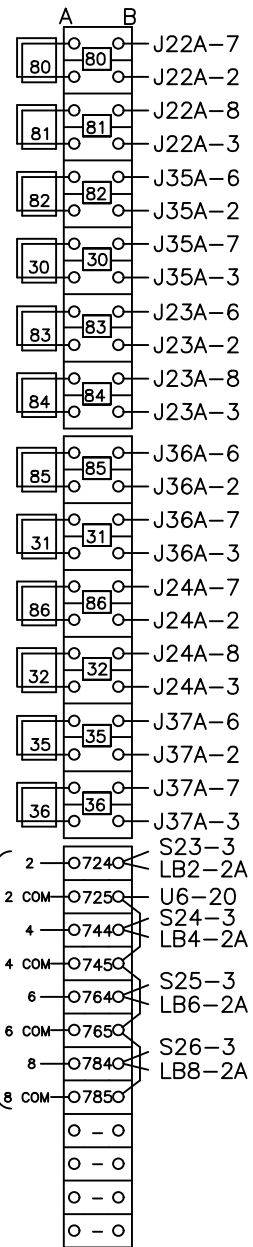
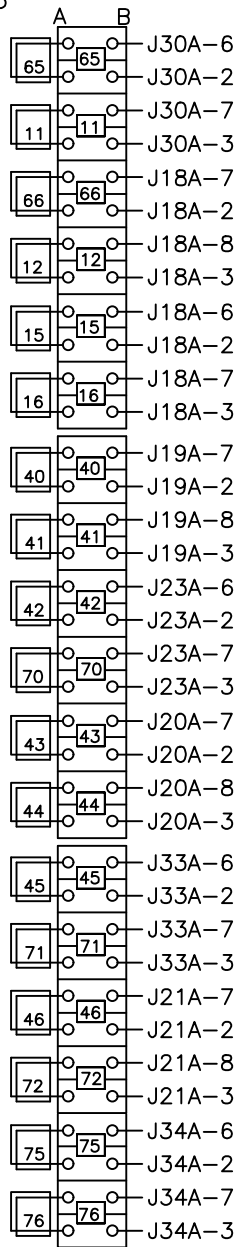
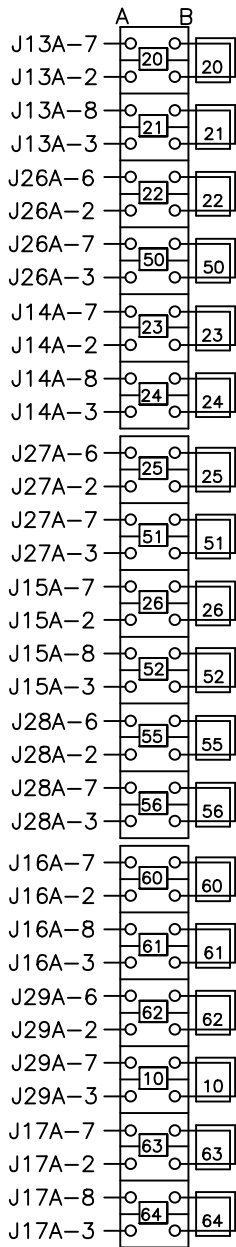


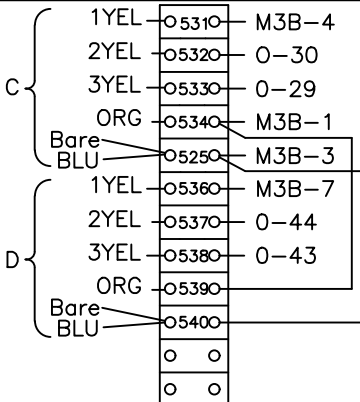
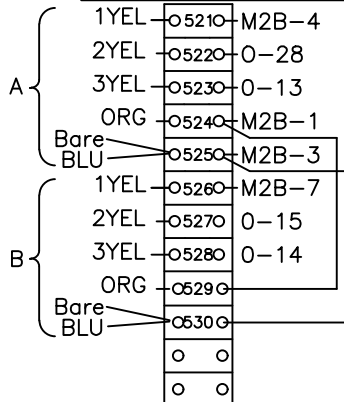
A	B	C	D	EVP CCB	
24-4	24-5	37-4	37-5	CALL CCB J#-#	
1	2	3	4	5	6
				A25	Terminal #
				A=U12; B=U13	

U8-1  
U8-2  
U8-3  
U8-4



PEDESTRIAN PUSH BUTTONS

LG



AC- GB1 ISOLATED DFTP

I:\CITYPPS\AUTOCAD\STD\_DETAILS\DRAWING\_FILES\T20-35A

REV NO.	DATE	BY	APPR	AGE
1	1/05	RAW		AGE
2	3/06	RAW		AGE
3	2/07	RAW		AGE
4	8/08	RAW		AGE
5	7/14	RAW	CJC	
6	9/21	RAW	CJC	

PUBLIC WORKS - STREETS AND TRANSPORTATION

APPROVED BY: *[Signature]*  
TRAFFIC ENGINEER MANAGER

APPROVED DATE: 9/1/2021



INPUT TERMINAL FOR "P" CABINET DETECTION PANEL ASSEMBLY

STANDARD PLAN NUMBER  
T20-35A