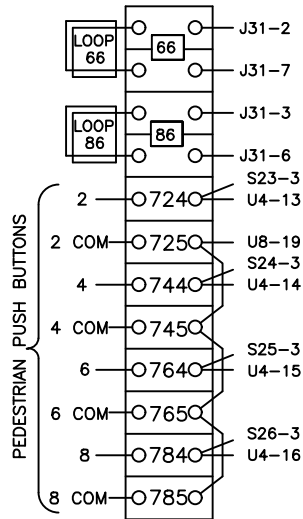
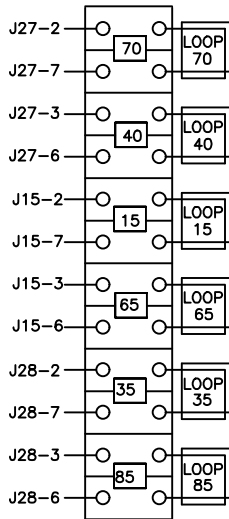
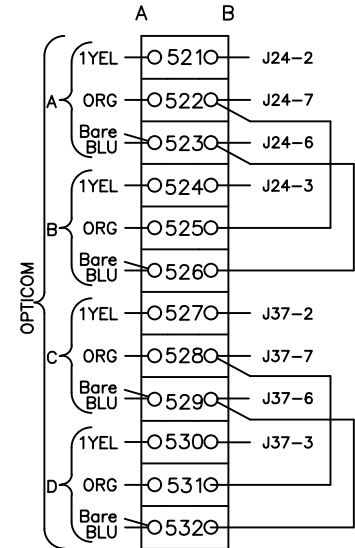
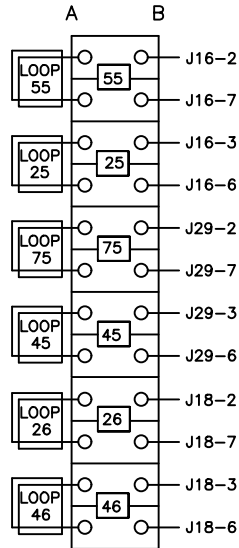
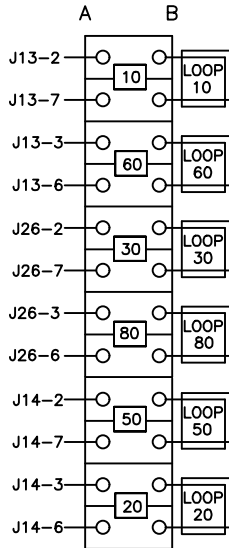


I:\CITYPPS\AUTOCAD\STD_DETAILS\DRAWING_FILES\T20-35B



AC-

REV. NO.	DATE	BY	APPR	AGE
1	1/05	RAW	AGE	
2	3/06	RAW	AGE	
3	2/07	RAW	AGE	
4	8/08	RAW	AGE	
5	1/15	RAW	CJC	
6	9/21	RAW	CJC	

PUBLIC WORKS - STREETS AND TRANSPORTATION

APPROVED BY: *[Signature]*
TRAFFIC ENGINEER MANAGER

APPROVED DATE: 9/1/2021



INPUT TERMINAL FOR "MSX" CABINET DETECTION PANEL ASSEMBLY	STANDARD PLAN NUMBER T20-35B
---	---------------------------------