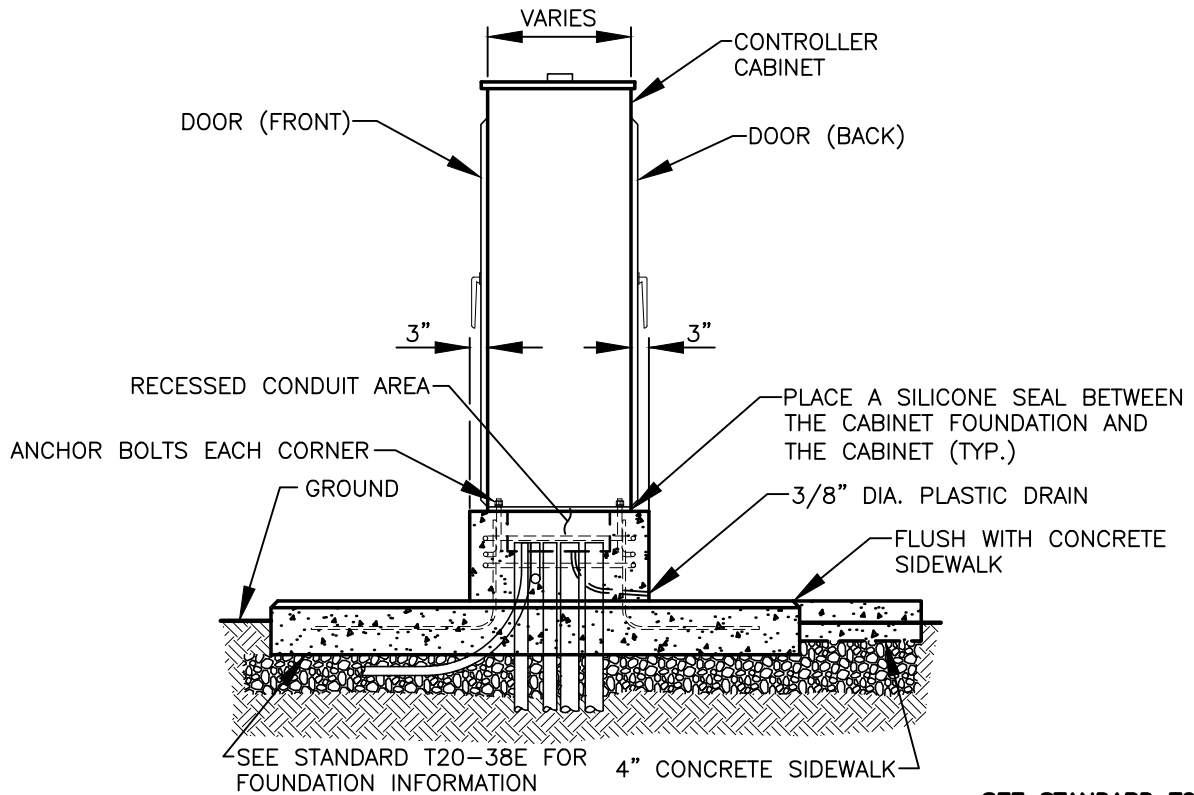


FRONT AND BACK VIEW (SECTION A-A)



SIDE VIEW (SECTION B-B)

SEE STANDARD T20-38E FOR PLAN VIEW

I:\CITYPPS\AUTOCAD\STD_DETAILS\DRAWING_FILES\T20-38B

REV. NO.	DATE	BY	APPR
1	3/17	RAW	CJC
2	4/18	RAW	CJC
3	9/21	RAW	CJC

PUBLIC WORKS - STREETS AND TRANSPORTATION

APPROVED BY: *[Signature]*
TRAFFIC ENGINEER MANAGER

APPROVED DATE: 9/1/2021



TYPICAL FRONT AND BACK DOOR CABINET PAD INSTALLATION DETAILS

STANDARD PLAN NUMBER
T20-38B