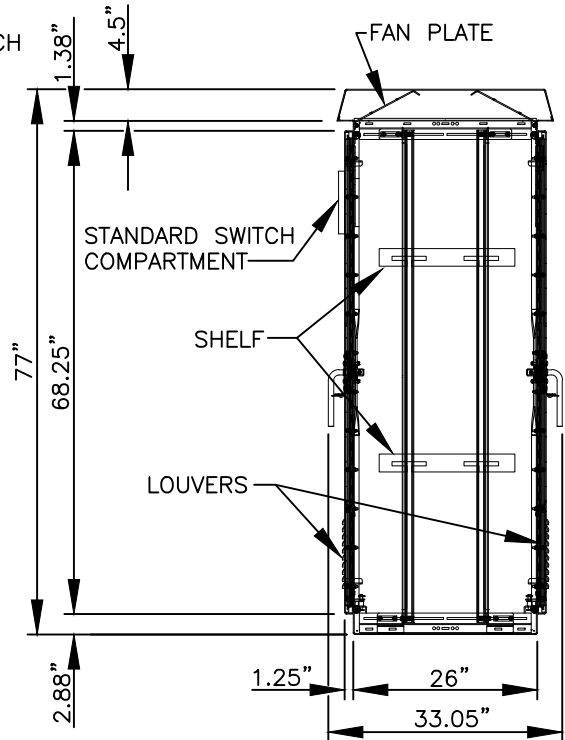
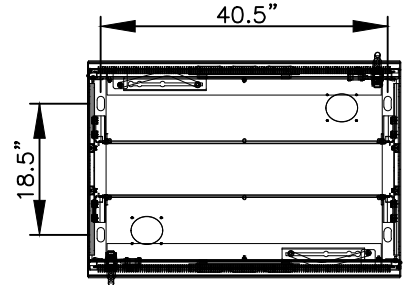


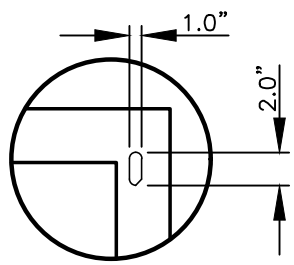
**FRONT**



**SECTION A-A**

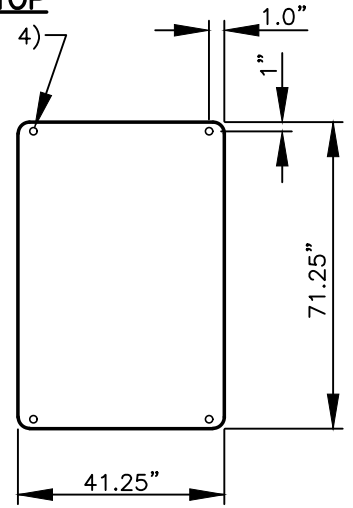


**TOP**

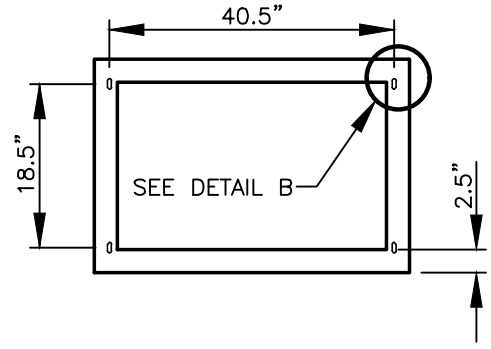


**DETAIL B**

0.312" DIA. HOLE (TYP. 4)



**ALUMINUM CENTER PANELS**



**PAD MOUNTING PATTERN**

**NOTE:**

1. FRONT AND BACK DOOR "P" CABINET PART NO. FR443624, CITY OF VANCOUVER SPECIFICATIONS, MANUFACTURED BY APX ENCLOSURE, INC. OR APPROVED EQUAL.

I:\CITYPPS\AUTOCAD\STD\_DETAILS\DRAWING\_FILES\T20-38D

REV NO.	DATE	BY	APPR
1	3/17	RAW	CJC
2	9/21	RAW	CJC

**PUBLIC WORKS – STREETS AND TRANSPORTATION**

APPROVED BY: *[Signature]*  
 TRAFFIC ENGINEER MANAGER  
 APPROVED DATE: 9/1/2021



TYPICAL FRONT AND BACK DOOR "P" CABINET DETAILS

STANDARD PLAN NUMBER  
 T20-38D