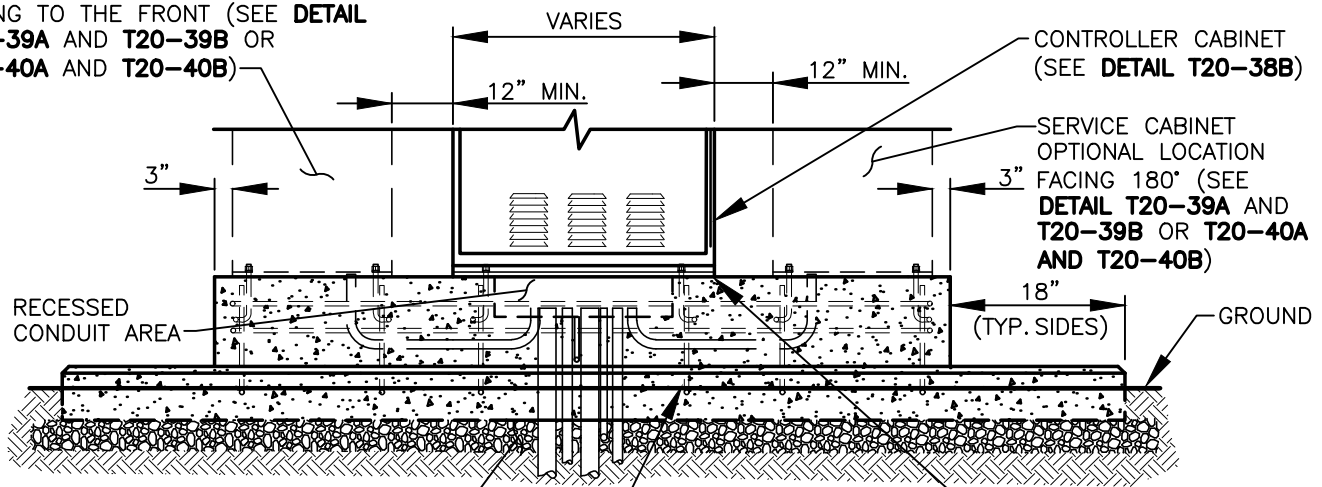
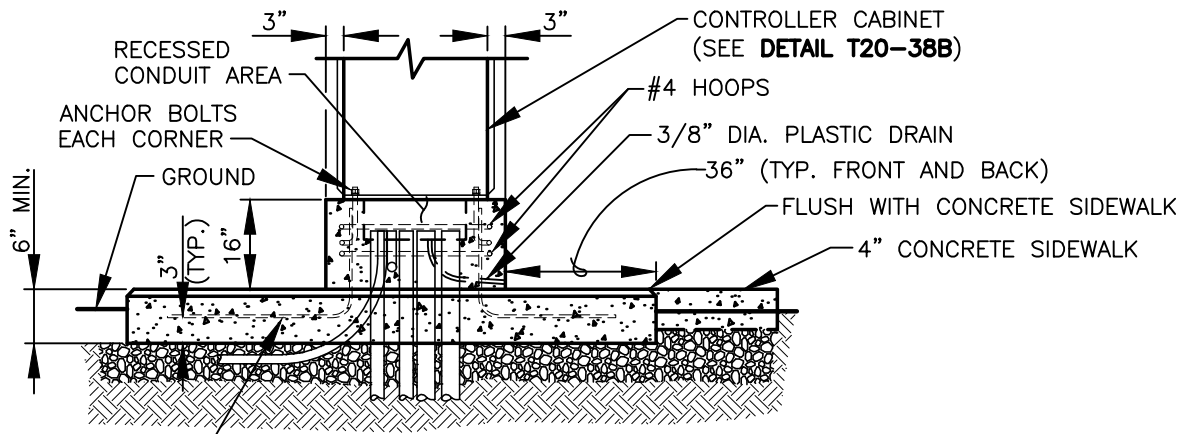


TOP VIEW

SERVICE CABINET TYPICAL LOCATION FACING TO THE FRONT (SEE **DETAIL T20-39A AND T20-39B** OR **T20-40A AND T20-40B**)



FRONT AND BACK VIEW (SECTION A-A)



SIDE VIEW (SECTION B-B)

I:\CITYPPS\AUTOCAD\STD_DETAILS\DRAWING_FILES\T20-38E

REV. NO.	DATE	BY	APPR
1	4/18	RAW	CJC
2	9/21	RAW	CJC

PUBLIC WORKS - STREETS AND TRANSPORTATION

APPROVED BY: *[Signature]*
 TRAFFIC ENGINEER MANAGER
 APPROVED DATE: 9/1/2021



CONTROLLER CABINET FOUNDATION

STANDARD PLAN NUMBER
T20-38E