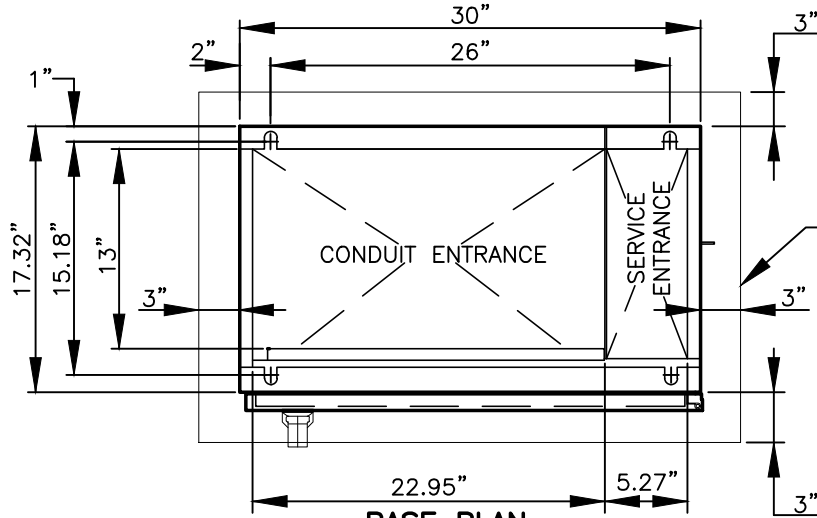


FRONT VIEW

RIGHT SIDE



BASE PLAN

NOTES:

1. SEE SERVICE ENCLOSURE REQUIREMENTS ON DETAIL **T20-41**.
2. SEE WIRING DIAGRAM ON DETAIL **T20-40B**.
3. SERVICE CABINET TO BE INSTALLED ON SEPARATE FOUNDATION 10 TO 20 FEET FROM CONTROLLER CABINET. SEE DETAIL **T20-38** FOR FOUNDATION INFORMATION.
4. ENCLOSURE SHALL BE TESCO CLASS 24-000M-A OR CITY APPROVED EQUAL PRIOR TO BID.
5. FACE CABINET TOWARDS MAJOR STREET.

I:\CITYPPS\AUTOCAD\STD_DETAILS\DRAWING_FILES\T20-40A

REV NO.	DATE	BY	APPR	AGE
1	8/04	RAW	AGE	
2	8/08	RAW	AGE	
3	7/14	RAW	CJC	
4	7/19	RAW	CJC	
5	9/21	RAW	CJC	

PUBLIC WORKS - STREETS AND TRANSPORTATION

APPROVED BY: *[Signature]*
 TRAFFIC ENGINEER MANAGER
 APPROVED DATE: 9/1/2021



TRAFFIC SIGNAL SERVICE WITH BATTERY BACKUP ELECTRICAL CABINET DETAIL

STANDARD PLAN NUMBER
T20-40A