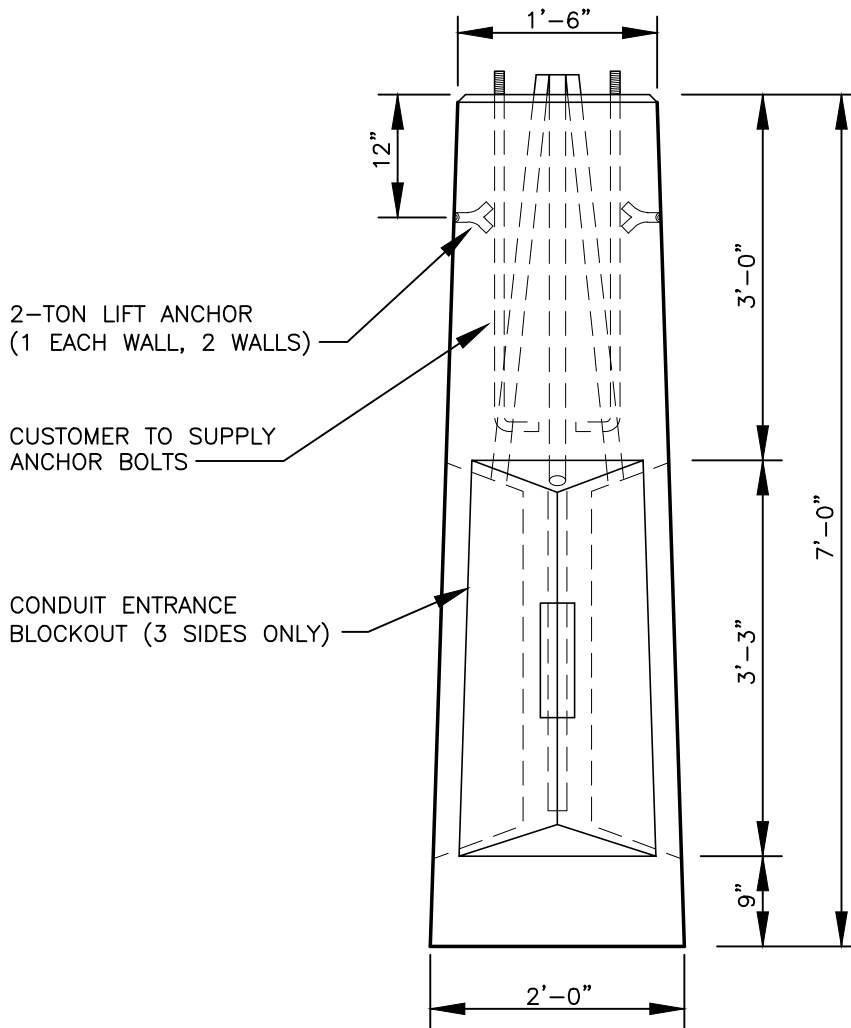


TOP VIEW



SIDE VIEW

NOTE:

1. CAST-IN-PLACE FOUNDATIONS CAN BE USED INSTEAD OF PRECAST FOUNDATIONS WHEN NECESSARY WITH CITY TRAFFIC ENGINEER'S APPROVAL. FOR CAST-IN-PLACE FOUNDATIONS, SEE **WSDOT STANDARD PLAN J-28.30-xx "STEEL LIGHT STANDARD FOUNDATION TYPES A AND B"**.

REFERENCES TO WSDOT STANDARD PLANS, USE THE MOST CURRENT VERSION OF THESE STANDARD PLANS.

I:\CITYAPPS\AUTOCAD\STD_DETAILS\DRAWING_FILES\T21-11A

REV NO.	DATE	BY	APPR
1	1/15	RAW	CJC
2	9/21	RAW	CJC

PUBLIC WORKS - STREETS AND TRANSPORTATION

APPROVED BY: *[Signature]*
TRAFFIC ENGINEER MANAGER

APPROVED DATE: 9/1/2021



PRECAST FOUNDATION FOR STREET LIGHTING	STANDARD PLAN NUMBER T21-11A
--	---------------------------------