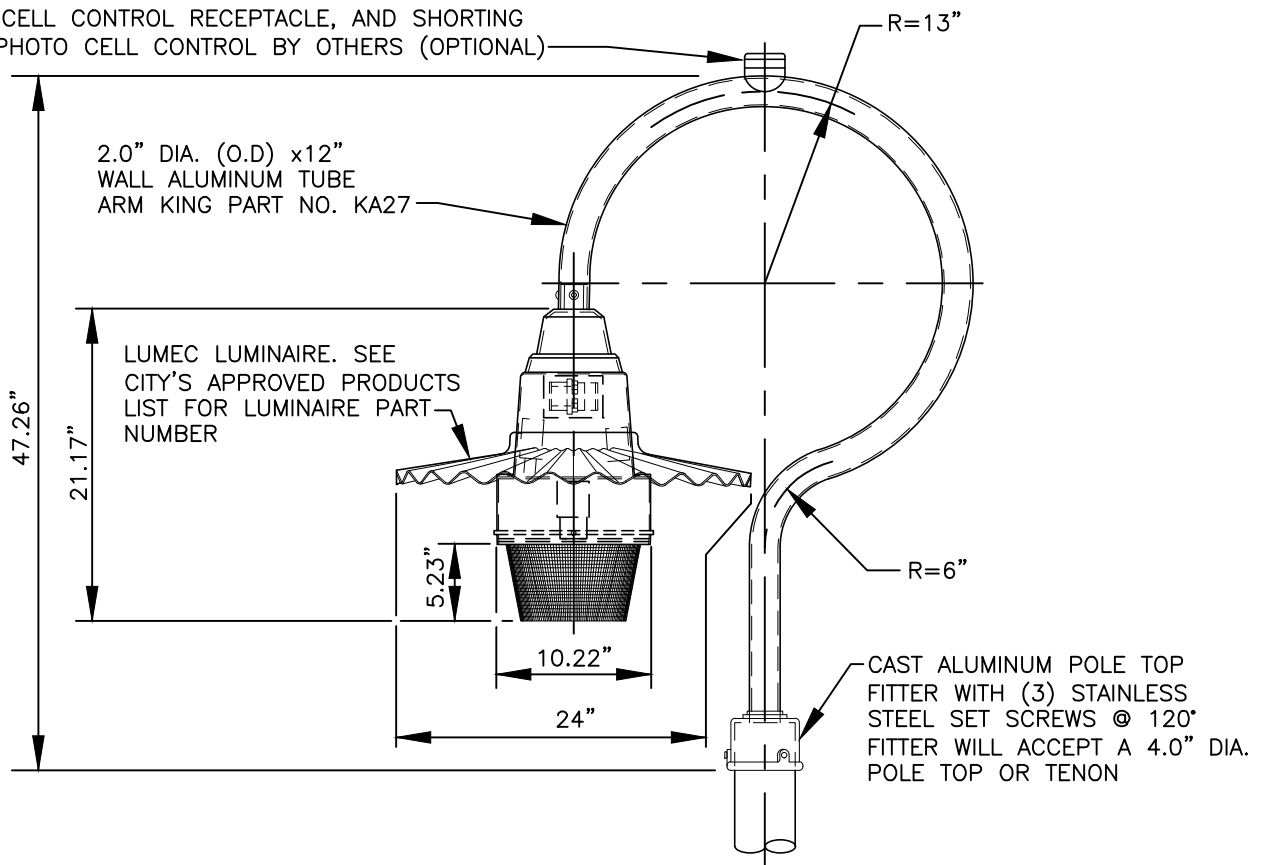
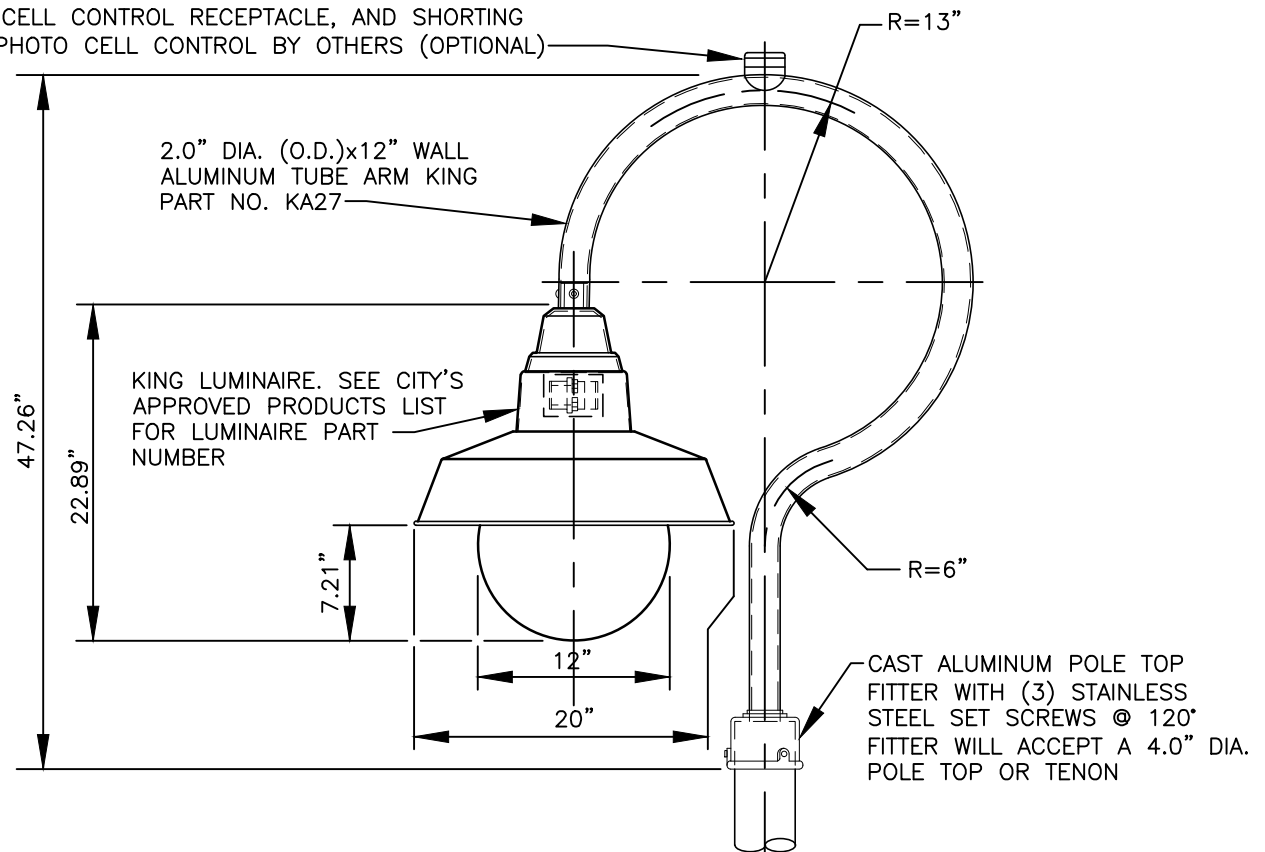


PHOTO CELL CONTROL RECEPTACLE, AND SHORTING CAP. PHOTO CELL CONTROL BY OTHERS (OPTIONAL)



TYPE P AND TYPE R LIGHTING FIXTURE

PHOTO CELL CONTROL RECEPTACLE, AND SHORTING CAP. PHOTO CELL CONTROL BY OTHERS (OPTIONAL)



TYPE O LIGHTING FIXTURE

I:\CITYPPS\AUTOCAD\STD_DETAILS\DRAWING_FILES\T21-13

| REV NO. | DATE | BY | APPR | AGE |
|---------|------|-----|------|-----|
| 1 | 8/04 | RAW | | AGE |
| 2 | 3/06 | RAW | | AGE |
| 3 | 2/07 | RAW | | AGE |
| 4 | 8/08 | RAW | | AGE |
| 5 | 1/15 | RAW | CJC | |
| 6 | 9/21 | RAW | CJC | |

PUBLIC WORKS – STREETS AND TRANSPORTATION

APPROVED BY: *[Signature]*
TRAFFIC ENGINEER MANAGER

APPROVED DATE: 9/1/2021



SHEPPARDS HOOK DETAIL FOR TYPE O, TYPE P AND TYPE R STREET LIGHTING STANDARD

STANDARD PLAN NUMBER
T21-13