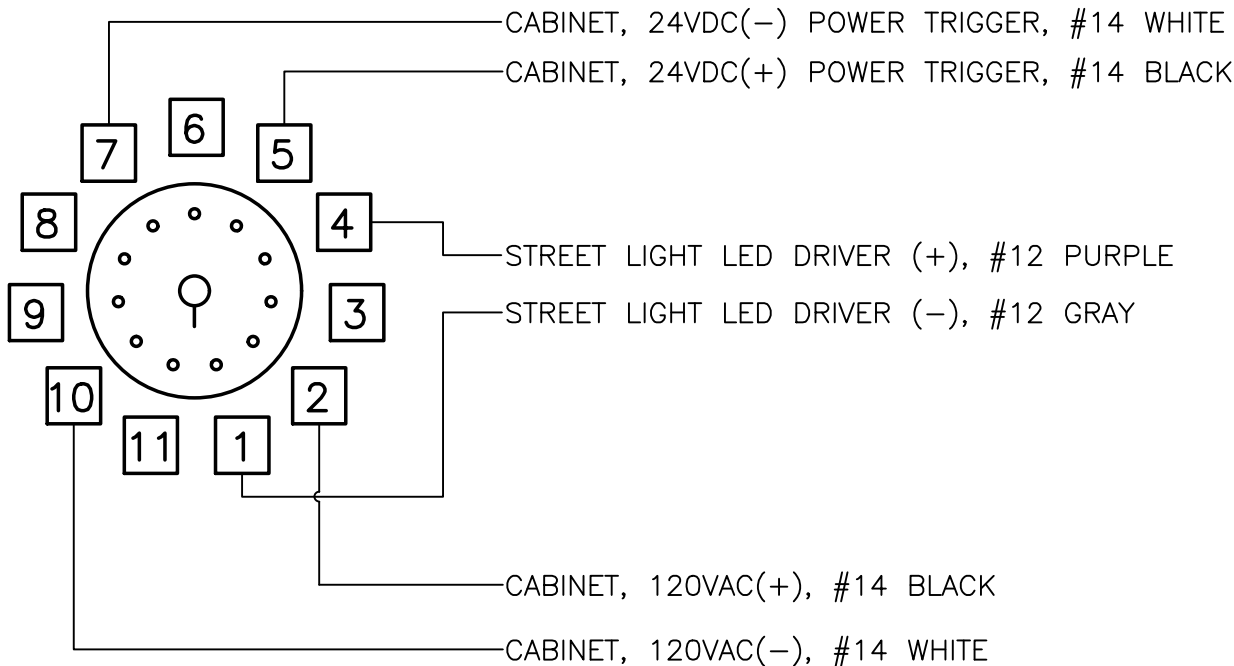


TIME DELAY RELAY, MACROMATIC TR-6192U WITH 11-PIN OCTAL SOCKET 70170-D, TO BE MOUNTED IN CONTROLLER CABINET.

TRAFFIC SIGNAL



TIME DELAY RELAY, MACROMATIC TR-6172U WITH 11-PIN OCTAL SOCKET 70170-D, TO BE MOUNTED IN CONTROLLER CABINET.

RRFB - AC POWERED

I:\CITYPPS\AUTOCAD\STD_DETAILS\DRAWING_FILES\T21-17

REV. NO.	DATE	BY	APPR
1	2/21	RAW	CJC
2	9/21	RAW	CJC

PUBLIC WORKS - STREETS AND TRANSPORTATION

APPROVED BY: *[Signature]*
 TRAFFIC ENGINEER MANAGER
 APPROVED DATE: 9/1/2021



SAFETY LIGHTING DIMMING CIRCUIT DETAIL

STANDARD PLAN NUMBER
T21-17