

DIMENSIONS:

WIDTH (INCHES)	0.95
HEIGHT (INCHES)	2.19
SIZE (HEX) OR SIZE (BOLT)	3/8
SIZE (HEX) OR SIZE (BOLT)	0.38
B LENGTH (INCHES)	0.63

GENERAL:

PRODUCT DESCRIPTION
 MECHANICAL GROUND ROD CLAMP
 FOR CABLE TO ROD, HIGH STRENGTH,
 10 AWG (SOL) – 1 AWG (STR), 5/8”
 DRIVE ROD, 3/8” STUD.

CONDUCTORS:

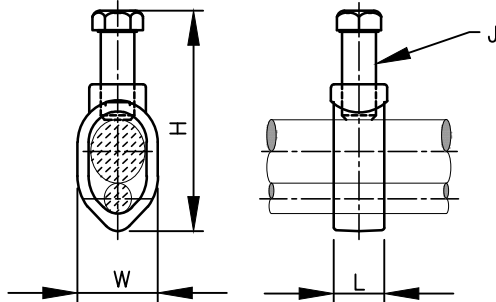
ROD SIZE (RANGE)	5/8 INCH
COPPER SOLID SIZE (RANGE)	10 AWG
COPPER STRANDED (RANGE)	12 AWG – 1 AWG

PHYSICAL:

PRODUCT MATERIAL: COPPER

APPROVALS/CERTIFICATIONS:

RATED FOR DIRECT BURIAL	Y
UL LISTED	Y
CSA CERTIFIED	Y
ROHS COMPATIBLE	COMPLIANT
UL RECOGNIZED	N
CULUS	N
INDUSTRY STANDARDS	RUS



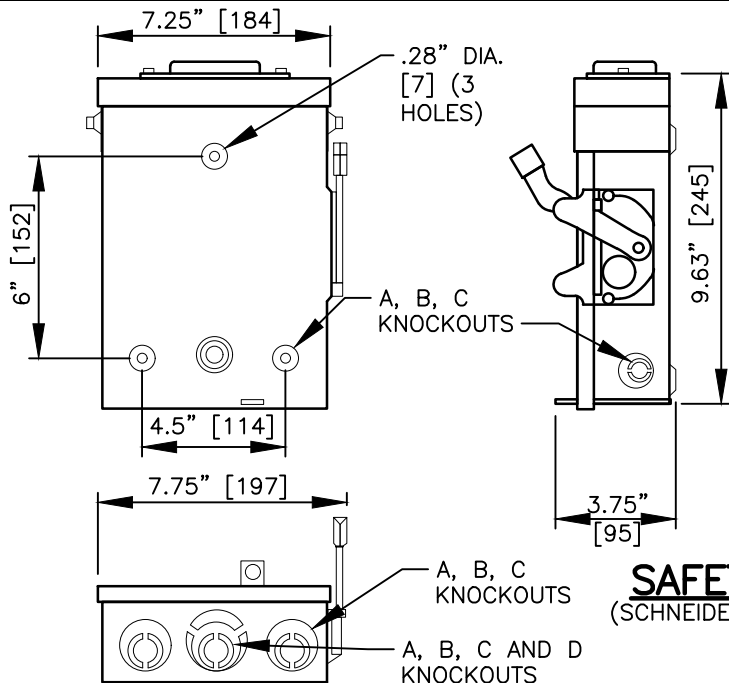
5/8 INCH GROUND ROD CLAMP



ROD DIAMETER (INCHES x LENGTH/(FT.))
5/8x8

THE POWER LINE HARDWARE GALVANIZED STANDARD GROUND ROD HAS A CORE OF AISI 1010-1029 HOT ROLLED CARBON STEEL. THE GROUND ROD IS CONE POINTED AND CHAMFERED ON THE END TO REDUCE "MUSHROOMING" DURING HAMMER DRIVEN INSTALLATION. HOT DIPPED GALVANIIZED GROUND ROD MUST MEET ASTM A 153 SPECIFICATIONS.

GROUND ROD



WIRING DIAGRAMS	
NOT FUSIBLE	
A	B

KNOCKOUTS				
SYMBOL	A	B	C	D
CONDUIT SIZE	0.50	0.75	1	1.25

APPROVED MATERIALS LIST:
 SEE CITY OF VANCOUVER'S WEB SITE;
<http://www.cityofvancouver.us/publicworks/page/transporation-development-review-information>

SAFETY SWITCH BOX
 (SCHNEIDER ELECTRIC PART #DU222RB)

SEE STREET LIGHT DISCONNECT DETAIL T21-18B AND T21-18C FOR ADDITIONAL INFORMATION.

I:\CITYPPS\AUTOCAD\STD_DETAILS\DRAWING_FILES\T21-18A

REV NO.	DATE	BY	APPR
1	2/21	RAW	CJC
2	9/21	RAW	CJC

PUBLIC WORKS – STREETS AND TRANSPORTATION

APPROVED BY: *[Signature]*
 TRAFFIC ENGINEER MANAGER
 APPROVED DATE: 9/1/2021



STREET LIGHT
 DISCONNECT
 DETAIL

STANDARD PLAN
 NUMBER
 T21-18A