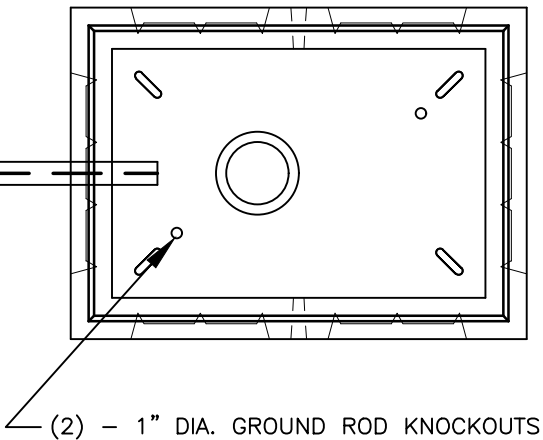
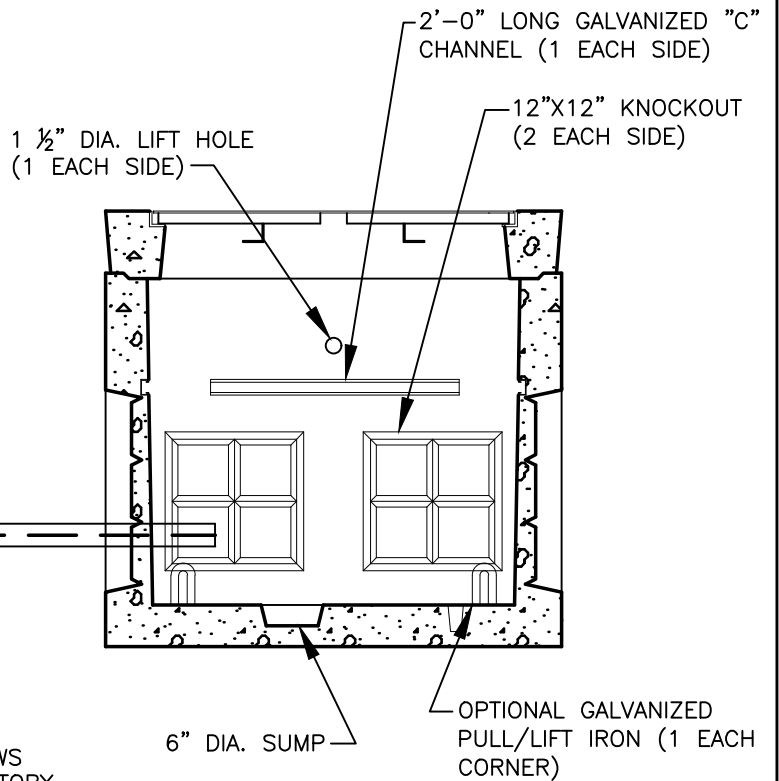
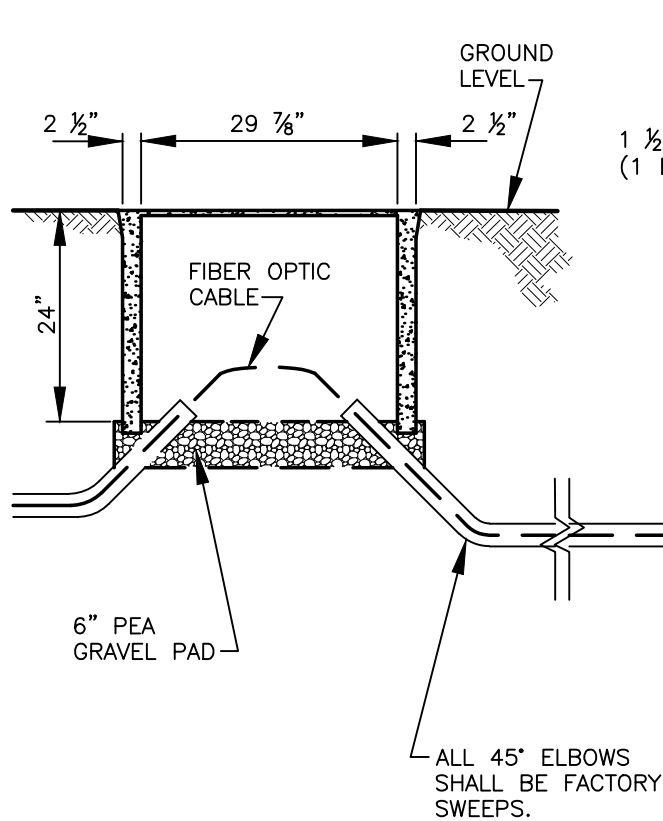


TOP VIEW JUNCTION BOX



TOP VIEW SPlice VAULT



NOTES:

1. SEE STANDARD SPECIFICATIONS FOR CONDUIT DEPTH.
2. SEE PLANS AND SPECIFICATIONS FOR CONDUIT SIZE.

I:\CITYAPPS\AUTOCAD\STD_DETAILS\DRAWING_FILES\T22-03

REV NO.	DATE	BY	APPR	AGE
1	3/06	RAW		AGE
2	2/07	RAW		AGE
3	8/08	RAW		AGE
4	1/15	RAW	CJC	
5	2/21	OIS	CJC	
6	9/21	RAW	CJC	

PUBLIC WORKS – STREETS AND TRANSPORTATION

APPROVED BY: *[Signature]*
TRAFFIC ENGINEER MANAGER

APPROVED DATE: 9/1/2021



INTERCONNECT JUNCTION BOX TO PULL BOX DETAIL

STANDARD PLAN NUMBER
T22-03