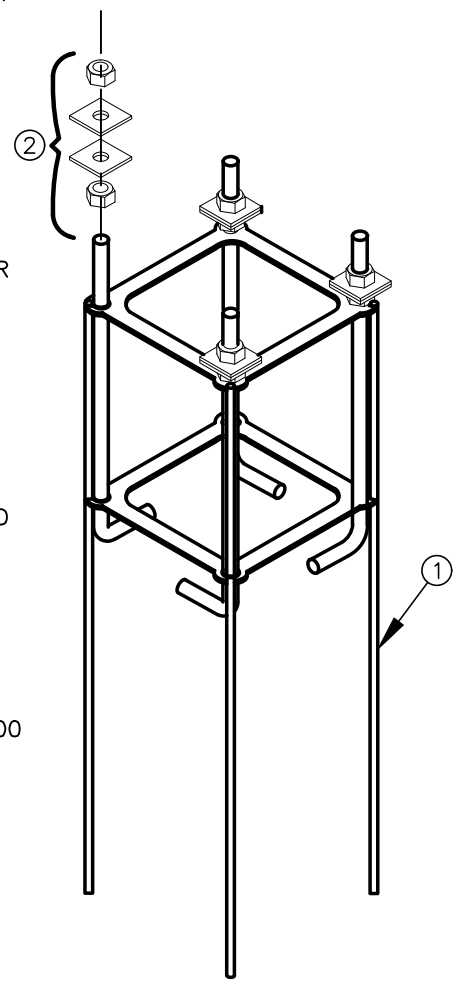


FOUNDATION DETAIL



ANCHOR BOLT CAGE DETAIL

NOTES:

- ① ANCHOR BOLT CAGE, WITH 3/4" - 10 BOLTS x 18", 36" REBAR, 13" BC STEEL, GALVANIZED.
- ② HARDWARE KIT, ANCHOR BOLT CAGE, 3/4" - 10NC WITH SQUARE WASHERS, STEEL GALVANIZED.

I:\CITYPPS\AUTOCAD\STD_DETAILS\DRAWING_FILES\T23-02B

REV NO.	DATE	BY	APPR
1	1/15	RAW	CJC
2	7/19	RAW	CJC
3	9/21	RAW	CJC

PUBLIC WORKS - STREETS AND TRANSPORTATION

APPROVED BY: *[Signature]*
 TRAFFIC ENGINEER MANAGER

APPROVED DATE: 9/1/2021



RETANGULAR RAPID FLASHING BEACON FOUNDATION DETAIL

STANDARD PLAN NUMBER
 T23-02B