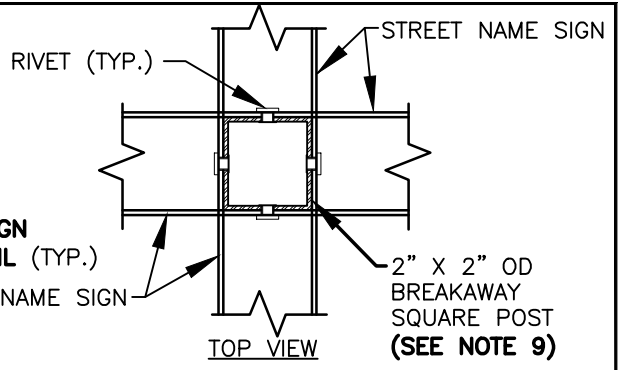
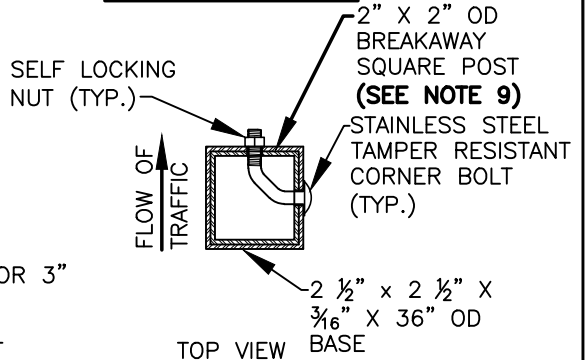
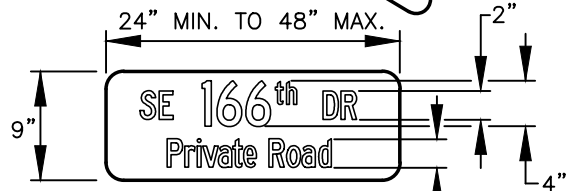


SEE **DOUBLE SIGN MOUNTING DETAIL (TYP.)**
STREET NAME SIGN



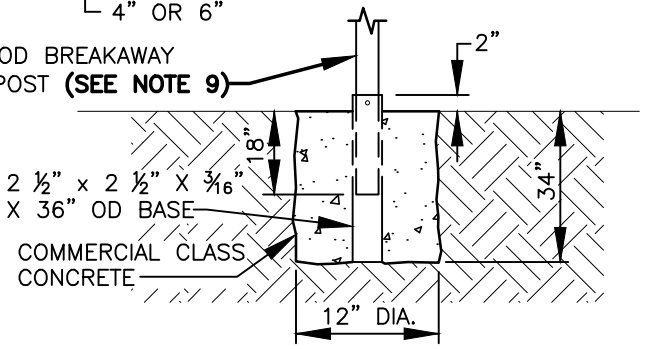
DOUBLE SIDED SIGN MOUNTING DETAIL



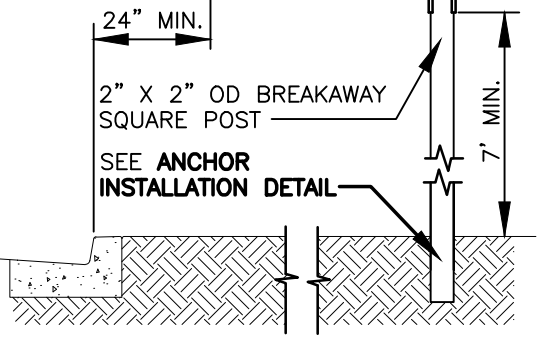
ANCHOR DETAIL



2" X 2" OD BREAKAWAY SQUARE POST (SEE NOTE 9)



ANCHOR INSTALLATION DETAIL



NOTES:

1. SIGN TO BE 6" WITH 4" LETTERS ONLY WHEN BOTH STREETS ARE LOCAL AND HAVE A POSTED SPEED OF 25 MPH OR LESS.
2. SIGN TO BE 9" WITH 6" LETTERS WHEN STREETS HAVE A SPEED GREATER THAN 25 MPH AND ARE LOCAL OR ARTERIAL STREETS.
3. SIGN FACE SHALL BE FABRICATED FROM CUBED CORNERED LENS (VIP, TYPE A DIAMOND GRADE) REFLECTIVE MATERIAL. FACE LEGEND AND BORDER SHALL BE WHITE ON A GREEN BACKGROUND, EXCEPT IN THE DOWNTOWN AREA, WHICH SHALL HAVE A BROWN BACKGROUND.
4. LETTERING SHALL BE A COMBINATION OF UPPER AND LOWER CASE LETTERS PER FHWA STANDARDS. THE PREFIX SHALL BE ABBREVIATED UPPER CASE LETTERS. THE STREET NAME SHALL BE LOWER CASE LETTERS WITH THE FIRST LETTER UPPER CASE. THE SUFFIX SHALL BE ABBREVIATED UPPER CASE.
5. ALL SIGN MATERIALS AND ATTACHMENT HARDWARE SHALL CONFORM TO MUTCD AND WSDOT STANDARD SPECIFICATIONS.
6. WHEN SIGN REQUIRES TWO MESSAGE LINES, USE 2 SIGN BOARDS WITH AN ARROW ADDED TO THE BOARD (LEFT ARROW LEFT OF THE DIRECTION AND RIGHT ARROW ON THE RIGHT).
7. ENGINEER SHALL APPROVE FACE COPY PRIOR TO FABRICATION.
8. FOR SIGN MANUFACTURING DETAILS SEE CITY OF VANCOUVER AMENDMENTS TO THE STANDARDS AND SPECIFICATIONS FOR TRAFFIC CONTROL DEVICES AND LIGHTING.
9. BREAKAWAY SIGN POSTS ARE TO BE "PRE-PUNCHED" CITY APPROVED POSTS.

I:\CITYPPS\AUTOCAD\STD_DETAILS\DRAWING_FILES\T29-01

| REV NO. | DATE | BY | APPR | AGE |
|---------|------|-----|------|-----|
| 1 | 1/05 | RAW | | AGE |
| 2 | 3/06 | RAW | | AGE |
| 3 | 2/07 | RAW | | AGE |
| 4 | 8/08 | RAW | | AGE |
| 5 | 1/15 | RAW | CJC | |
| 6 | 9/21 | RAW | CJC | |

PUBLIC WORKS - STREETS AND TRANSPORTATION

APPROVED BY: *[Signature]*
TRAFFIC ENGINEER MANAGER

APPROVED DATE: 9/1/2021



GROUND MOUNTED STREET NAME SIGN

STANDARD PLAN NUMBER
T29-01