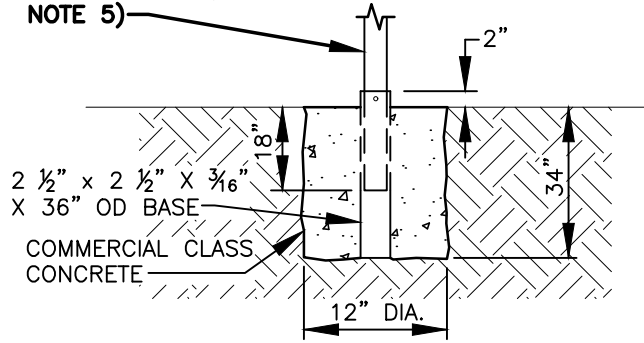
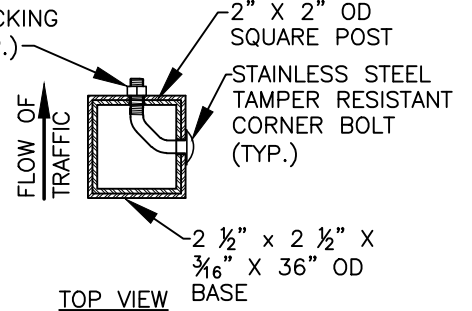


2" X 2" OD BREAKAWAY SQUARE POST (SEE NOTE 5)

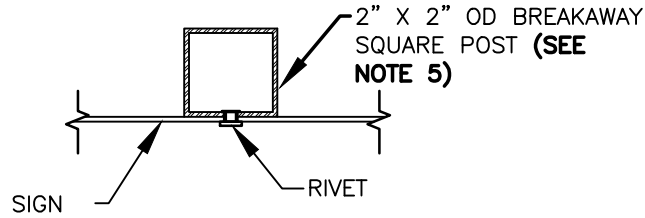


ANCHOR INSTALLATION DETAIL

SELF LOCKING NUT (TYP.)



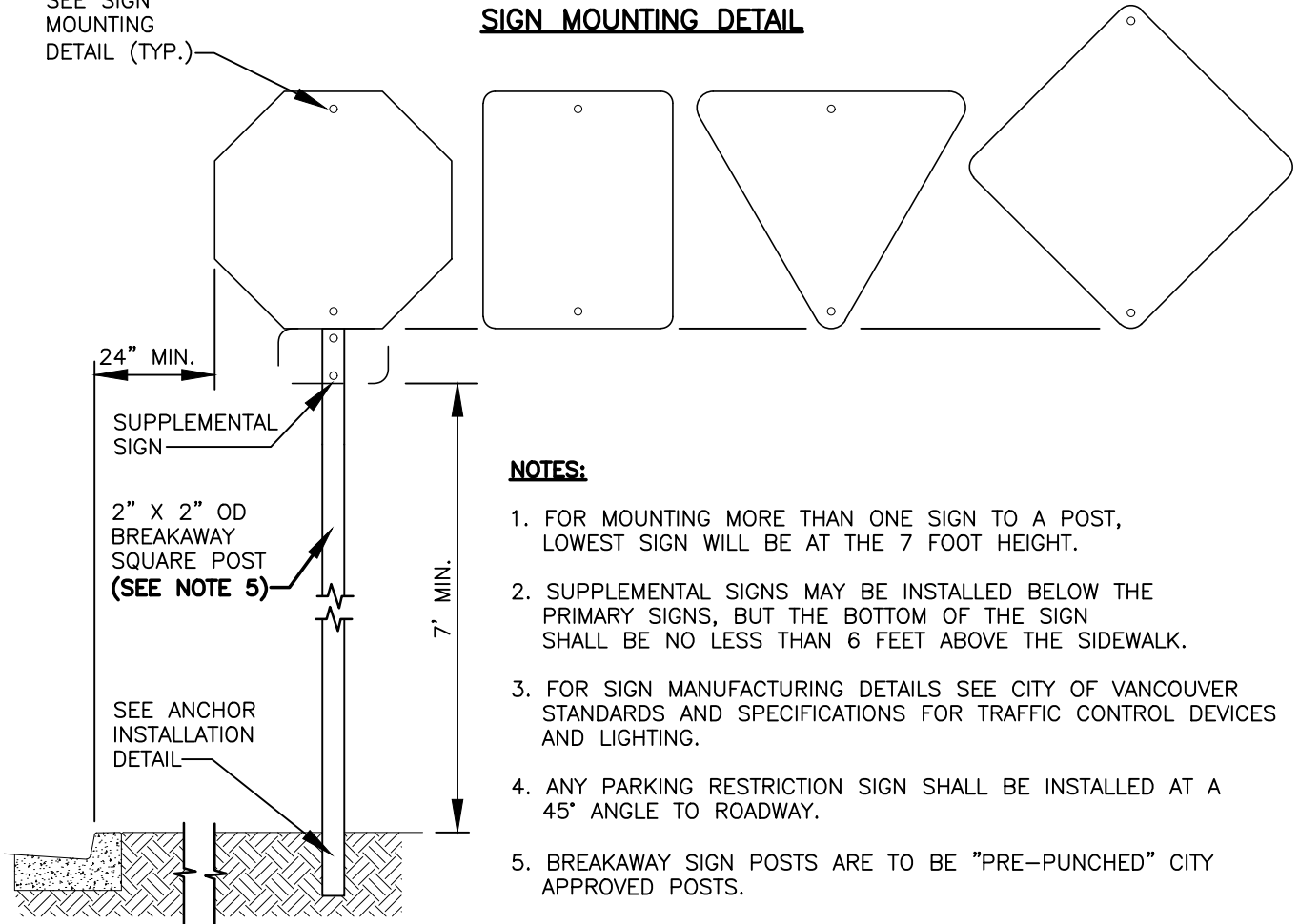
ANCHOR DETAIL



TOP VIEW

SIGN MOUNTING DETAIL

SEE SIGN MOUNTING DETAIL (TYP.)



NOTES:

1. FOR MOUNTING MORE THAN ONE SIGN TO A POST, LOWEST SIGN WILL BE AT THE 7 FOOT HEIGHT.
2. SUPPLEMENTAL SIGNS MAY BE INSTALLED BELOW THE PRIMARY SIGNS, BUT THE BOTTOM OF THE SIGN SHALL BE NO LESS THAN 6 FEET ABOVE THE SIDEWALK.
3. FOR SIGN MANUFACTURING DETAILS SEE CITY OF VANCOUVER STANDARDS AND SPECIFICATIONS FOR TRAFFIC CONTROL DEVICES AND LIGHTING.
4. ANY PARKING RESTRICTION SIGN SHALL BE INSTALLED AT A 45° ANGLE TO ROADWAY.
5. BREAKAWAY SIGN POSTS ARE TO BE "PRE-PUNCHED" CITY APPROVED POSTS.

I:\CITYPPS\AUTOCAD\STD_DETAILS\DRAWING_FILES\T29-02

REV NO.	DATE	BY	APPR	AGE
1	1/05	RAW	AGE	
2	3/06	RAW	AGE	
3	2/07	RAW	AGE	
4	8/08	RAW	AGE	
5	1/15	RAW	CJC	
6	9/21	RAW	CJC	

PUBLIC WORKS – STREETS AND TRANSPORTATION

APPROVED BY: *[Signature]*
TRAFFIC ENGINEER MANAGER

APPROVED DATE: 9/1/2021



GROUND MOUNTED SIGN DETAILS	STANDARD PLAN NUMBER T29-02
-----------------------------	--------------------------------