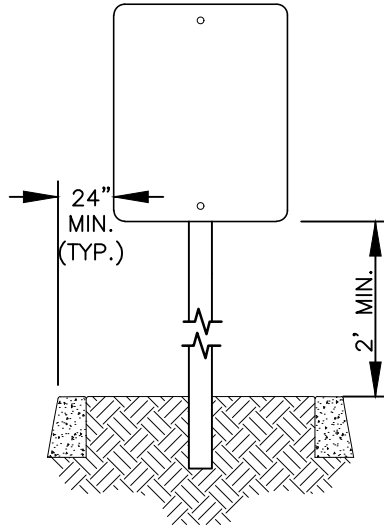
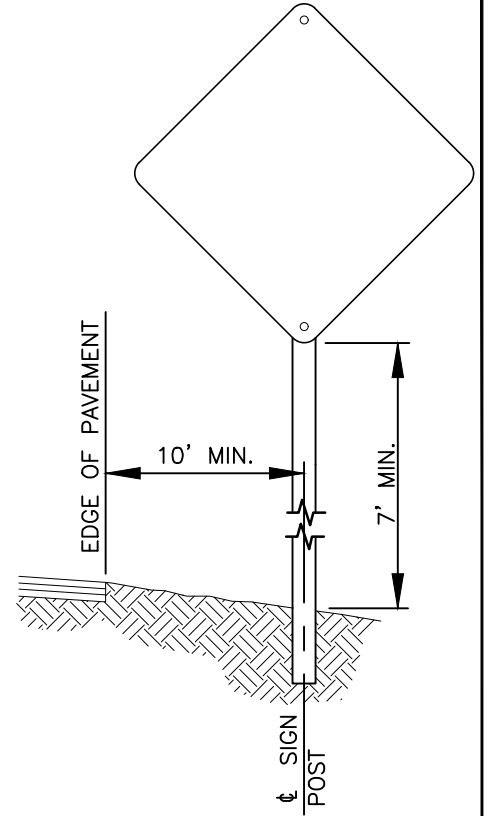


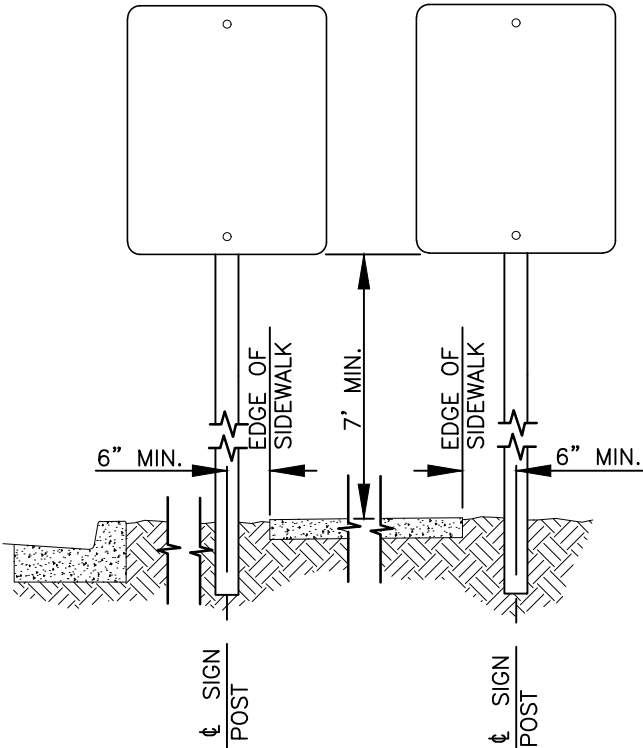
**SIGN LOCATION BY CURB**



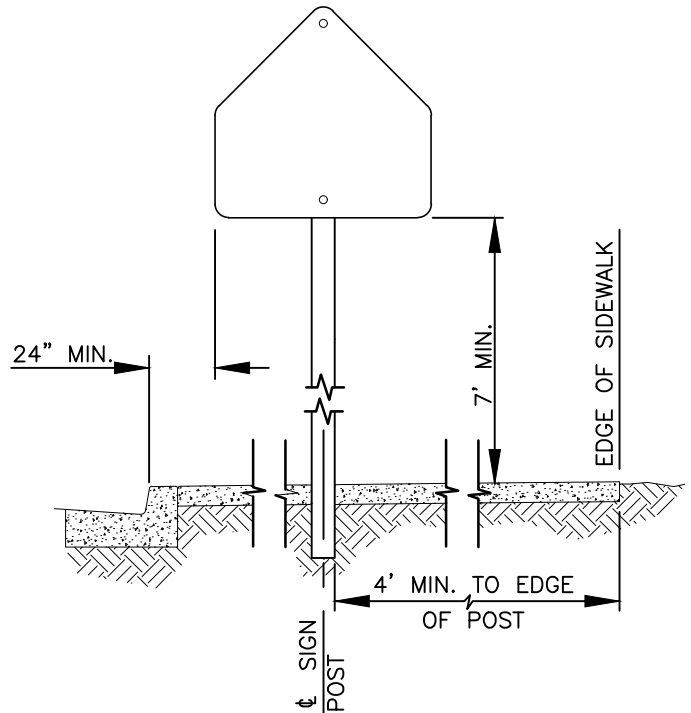
**SIGN LOCATION IN MEDIAN**  
(SEE DETAIL T02-17 FOR PLACEMENT)



**SIGN LOCATION EDGE OF PAVEMENT**



**SIGN LOCATION OUTSIDE OF SIDEWALK**



**SIGN LOCATION IN SIDEWALK**

I:\CITYPPS\AUTOCAD\STD\_DETAILS\DRAWING\_FILES\T29-03

REV NO.	DATE	BY	APPR
1	8/04	RAW	AGE
2	3/06	RAW	AGE
3	2/07	RAW	AGE
4	8/08	RAW	AGE
5	1/15	RAW	CJC
6	9/21	RAW	CJC

**PUBLIC WORKS – STREETS AND TRANSPORTATION**

APPROVED BY: *[Signature]*  
TRAFFIC ENGINEER MANAGER

APPROVED DATE: 9/1/2021



SIGN LOCATION DETAILS

STANDARD PLAN NUMBER  
T29-03