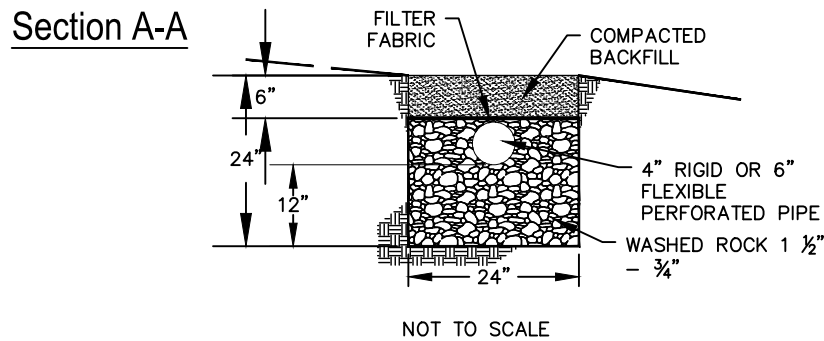
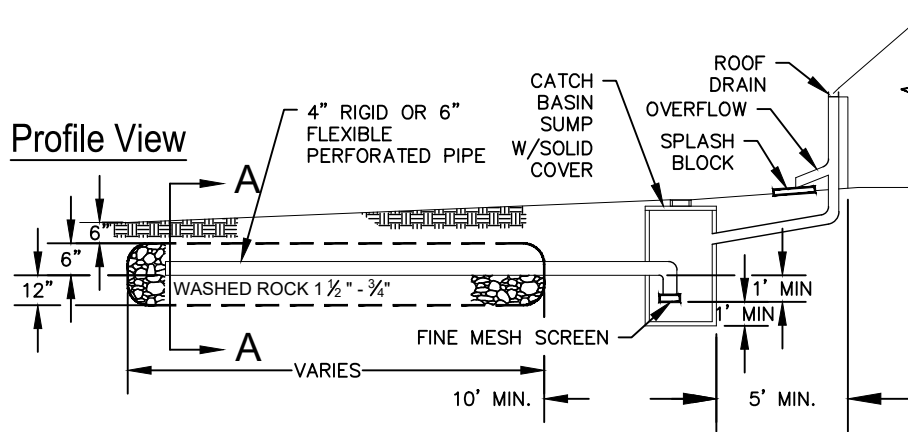


* AN OVERFLOW PIPE TO AN APPROVED CONNECTION WILL ONLY BE ALLOWED WHEN FULL INFILTRATION IS NOT FEASIBLE



DOWNSPOUT INFILTRATION TRENCH

STANDARD PLAN NO.

CITY OF VANCOUVER
DEPARTMENT OF PUBLIC WORKS
SURFACE WATER MANAGEMENT

REV. NO.	DATE	BY	APPROVED
1			
2			
3			
4			