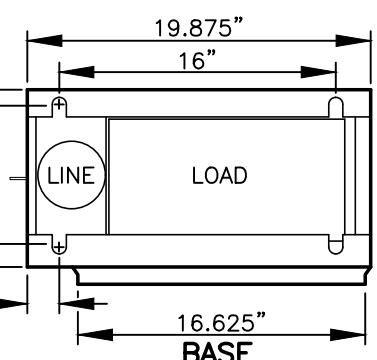


FRONT
(COVERS IN PLACE)
(STREET SIDE)

RIGHT SIDE



BASE

NOTES

1. SEE SERVICE ENCLOSURE REQUIREMENTS ON DETAIL T20-41.
2. SEE WIRING DIAGRAM ON DETAIL T23-01B.
3. ENCLOSURE SHALL BE TESCO CLASS 26-000M-A OR CITY APPROVED EQUAL PRIOR TO BID.

I:\CITYPPS\AUTOCAD\STD_DETAILS\DRAWING_FILES\T23-01A

REV. NO.	DATE	BY	APPR
1	3/06	RAW	AGE
2	2/07	RAW	AGE
3	8/08	RAW	AGE
4	1/15	RAW	CJC
5	7/18	RAW	CJC
6	9/21	RAW	CJC

PUBLIC WORKS - STREETS AND TRANSPORTATION

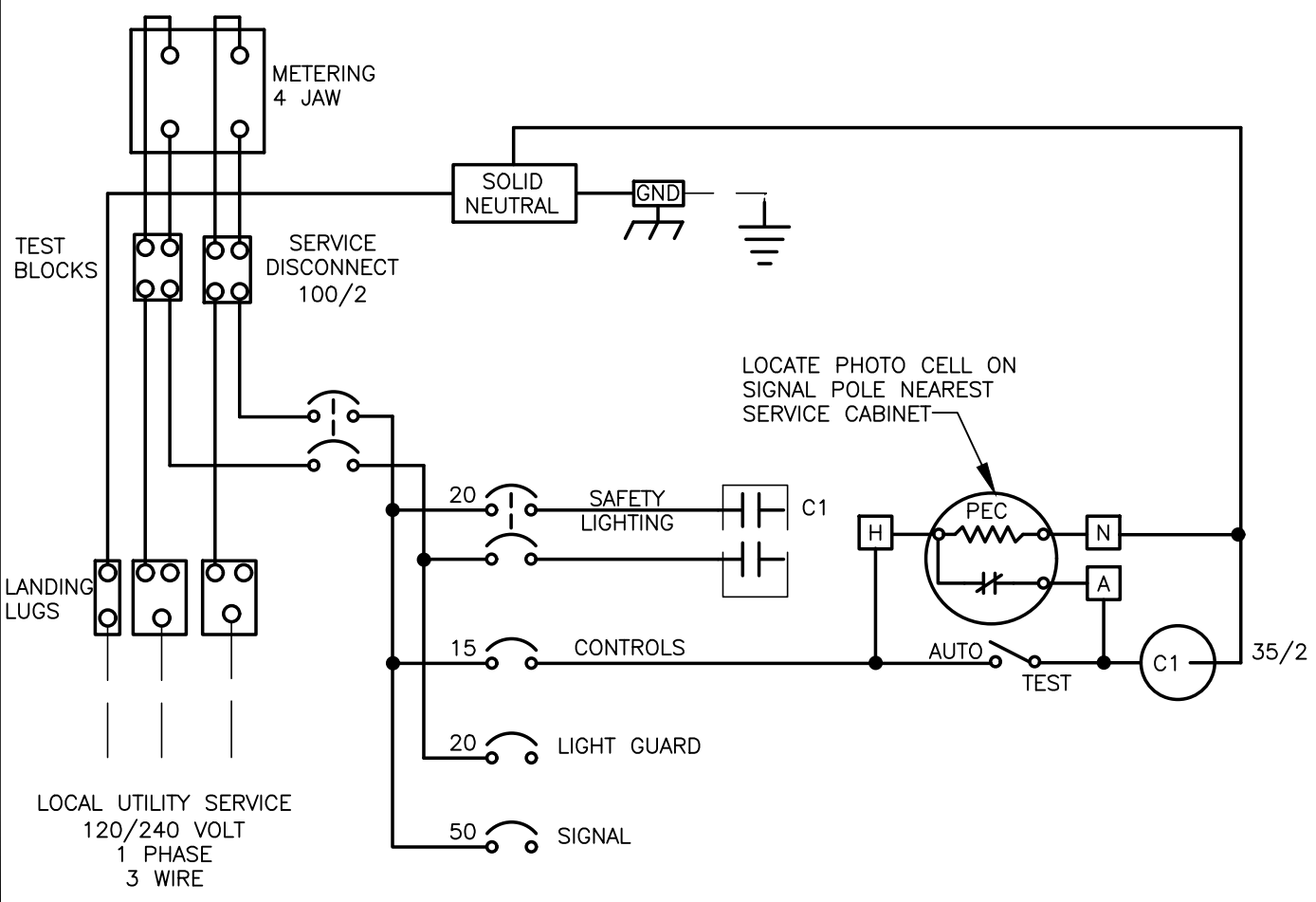
APPROVED BY: *[Signature]*
TRAFFIC ENGINEER MANAGER

APPROVED DATE: 9/1/2021



CABINET DETAIL FOR PEDESTRIAN CROSSING

STANDARD PLAN NUMBER
T23-01A



NOTE:

SEE DETAIL **T23-01A** FOR CROSSWALK ENCLOSURE ELECTRICAL CABINET DETAIL.

I:\CITYPPS\AUTOCAD\STD_DETAILS\DRAWING_FILES\T23-01B

REV. NO.	DATE	BY	APPR	AGE
1	8/04	RAW	AGE	
2	3/06	RAW	AGE	
3	2/07	RAW	AGE	
4	8/08	RAW	AGE	
5	1/15	RAW	CJC	
6	9/21	RAW	CJC	

PUBLIC WORKS – STREETS
AND TRANSPORTATION

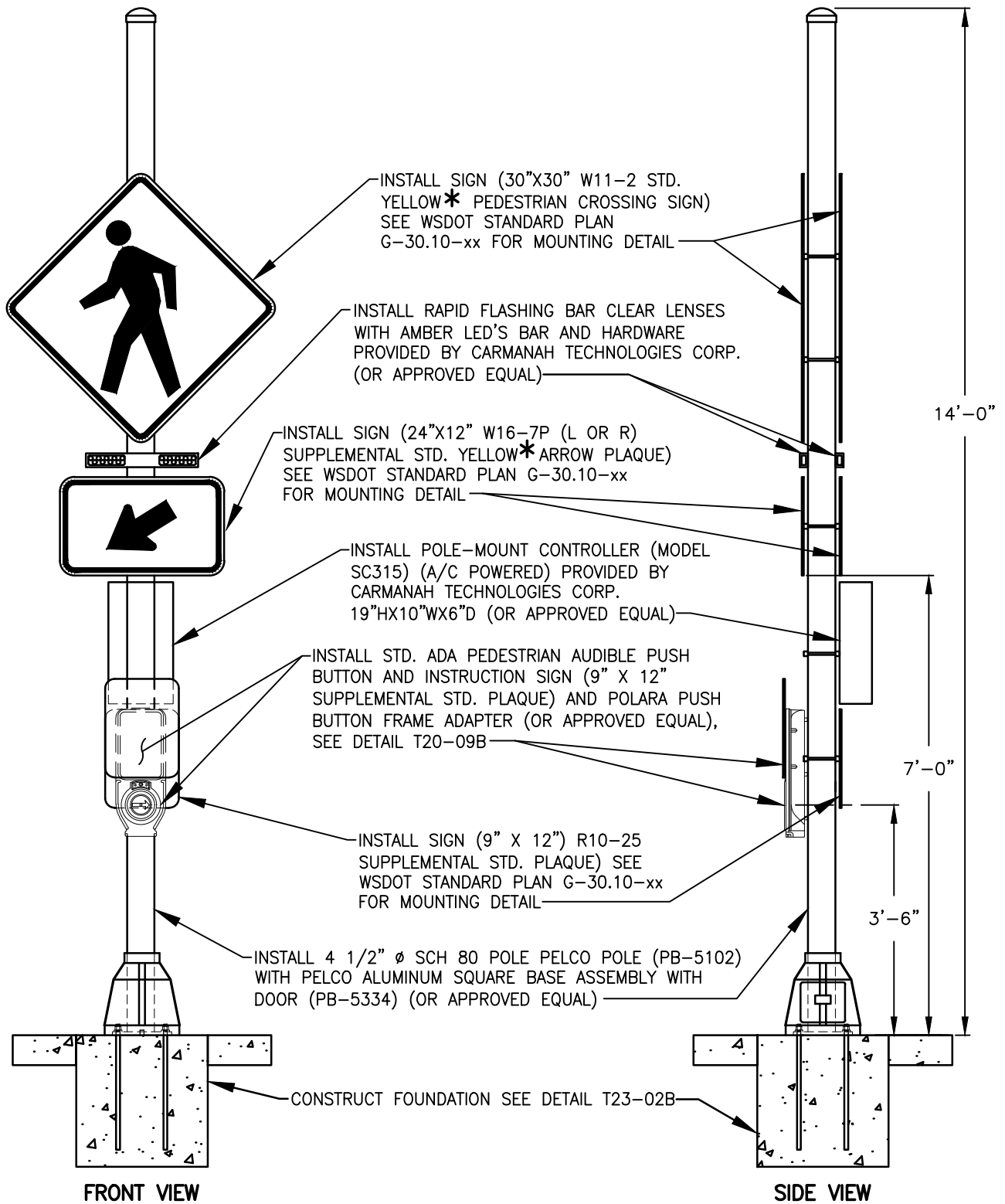
APPROVED BY: *[Signature]*
TRAFFIC ENGINEER MANAGER

APPROVED DATE: 9/1/2021



CABINET DETAIL FOR
PEDESTRIAN CROSSING
WIRING DIAGRAM

STANDARD PLAN
NUMBER
T23-01B




*"YELLOW" SIGNS IN SCHOOL ZONE ARE FLUORESCENT YELLOW-GREEN.

I:\CITYPPS\AUTOCAD\STD_DETAILS\DRAWING_FILES\T23-02A

REV NO.	DATE	BY	APPR	
1	1/15	RAW	CJC	
2	3/16	RAW	CJC	
3	3/17	RAW	CJC	
4	7/19	RAW	CJC	
5	9/21	RAW	CJC	

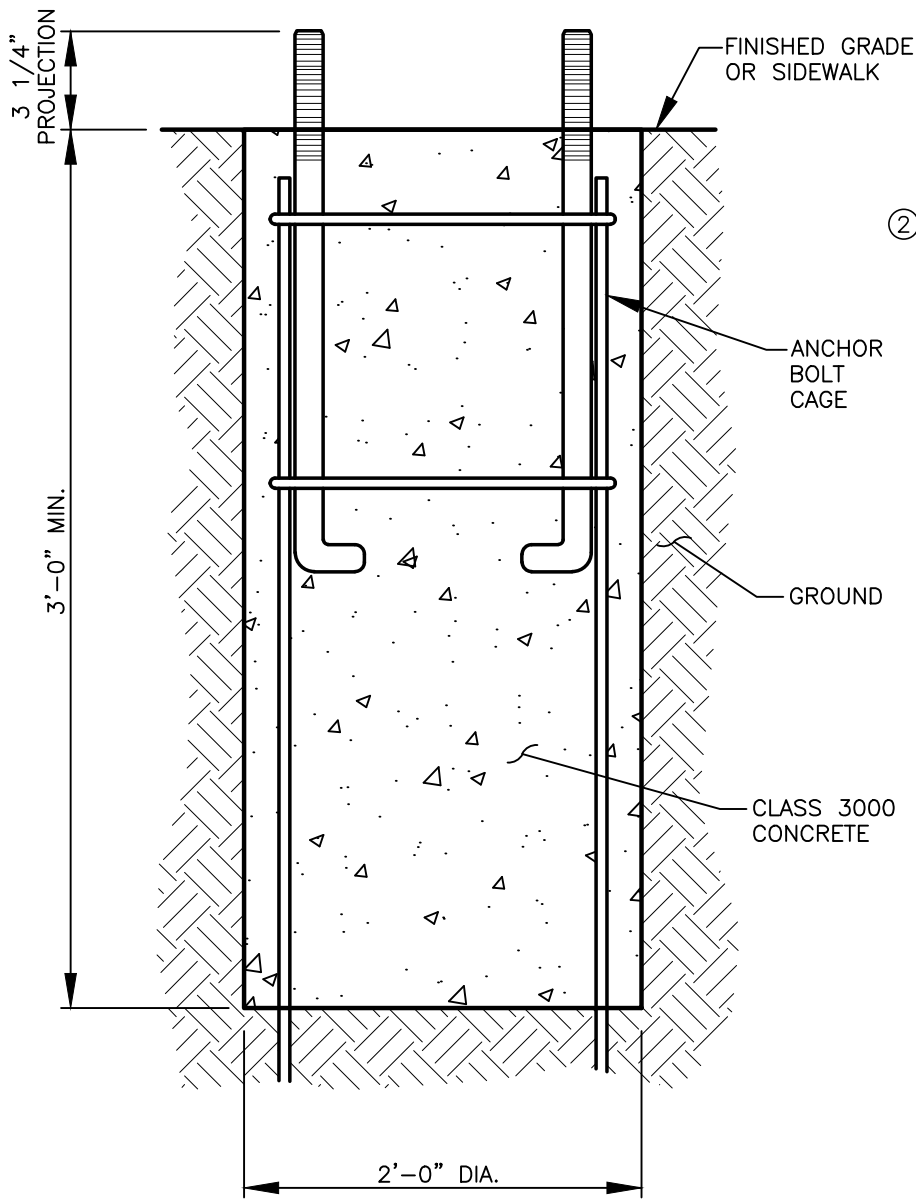
PUBLIC WORKS - STREETS AND TRANSPORTATION

APPROVED BY: 

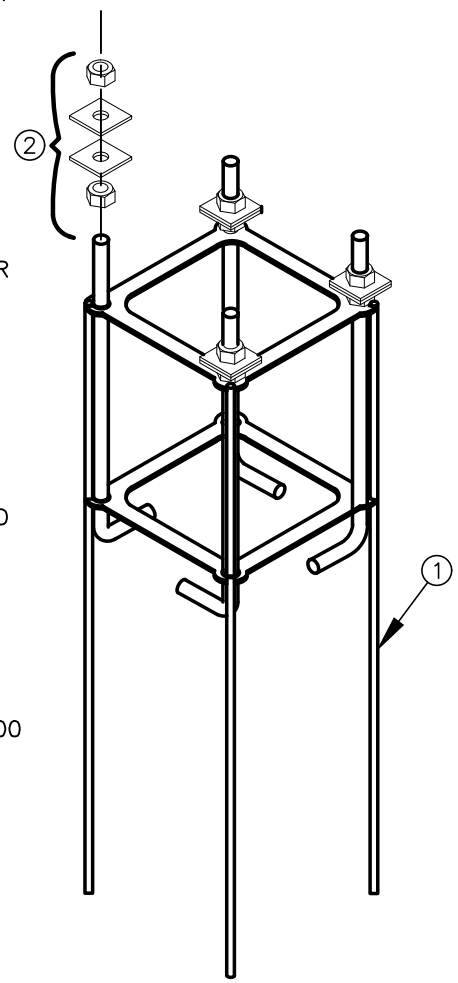
APPROVED DATE: 9/1/2021



RETANGULAR RAPID FLASHING BEACON ASSEMBLY DETAIL	STANDARD PLAN NUMBER T23-02A
--	---------------------------------



FOUNDATION DETAIL



ANCHOR BOLT CAGE DETAIL

NOTES:

- ① ANCHOR BOLT CAGE, WITH 3/4" - 10 BOLTS x 18", 36" REBAR, 13" BC STEEL, GALVANIZED.
- ② HARDWARE KIT, ANCHOR BOLT CAGE, 3/4" - 10NC WITH SQUARE WASHERS, STEEL GALVANIZED.

I:\CITYPPS\AUTOCAD\STD_DETAILS\DRAWING_FILES\T23-02B

REV NO.	DATE	BY	APPR
1	1/15	RAW	CJC
2	7/19	RAW	CJC
3	9/21	RAW	CJC

PUBLIC WORKS - STREETS AND TRANSPORTATION

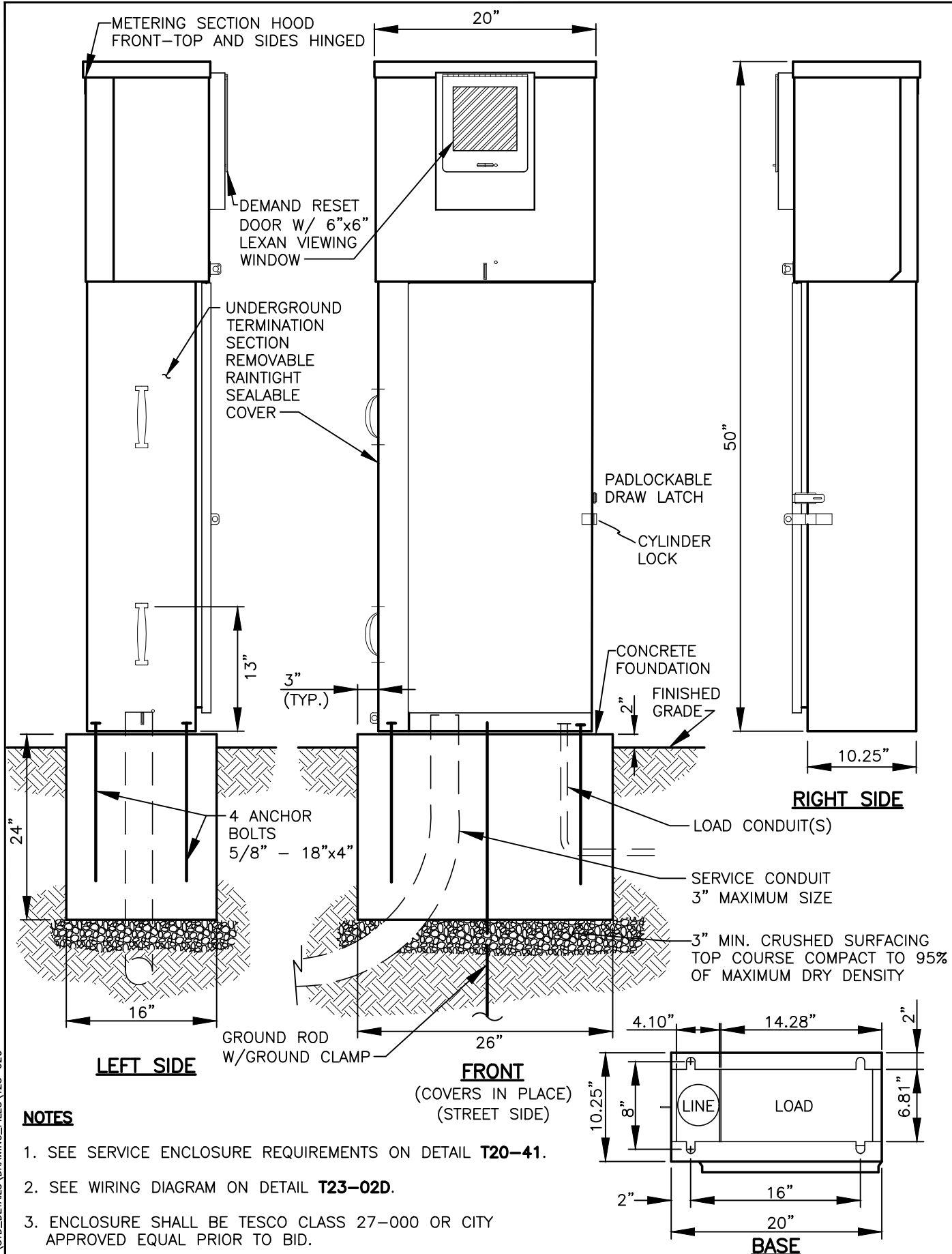
APPROVED BY: *[Signature]*
 TRAFFIC ENGINEER MANAGER

APPROVED DATE: 9/1/2021



RETANGULAR RAPID FLASHING BEACON FOUNDATION DETAIL

STANDARD PLAN NUMBER
T23-02B



NOTES

1. SEE SERVICE ENCLOSURE REQUIREMENTS ON DETAIL T20-41.
2. SEE WIRING DIAGRAM ON DETAIL T23-02D.
3. ENCLOSURE SHALL BE TESCO CLASS 27-000 OR CITY APPROVED EQUAL PRIOR TO BID.

I:\CITYPPS\AUTOCAD\STD_DETAILS\DRAWING_FILES\T23-02C

REV NO.	DATE	BY	APPR	
1	1/15	RAW	CJC	
2	4/18	RAW	CJC	
3	7/18	RAW	CJC	
4	7/19	RAW	CJC	
5	9/21	RAW	CJC	

PUBLIC WORKS - STREETS AND TRANSPORTATION

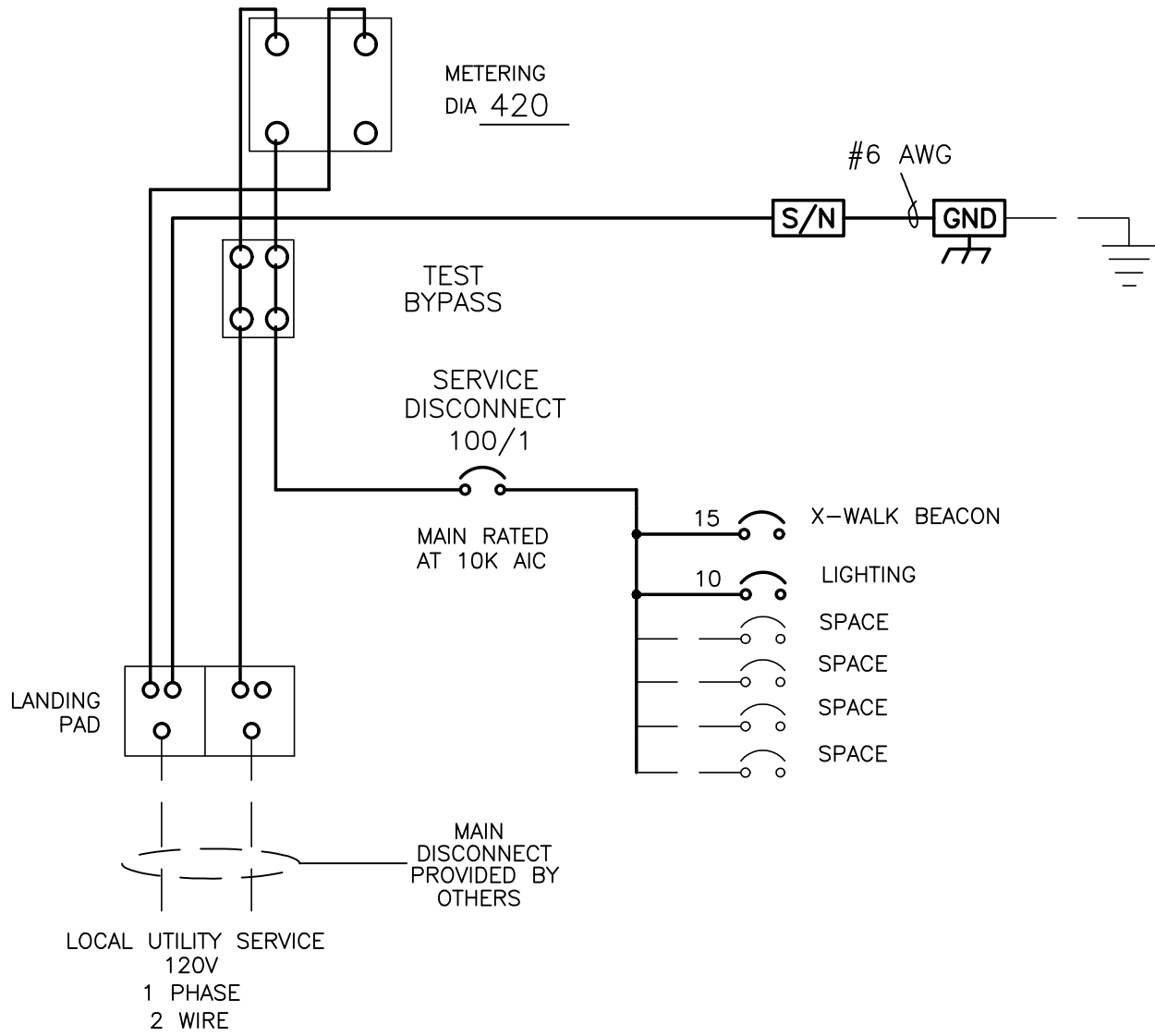
APPROVED BY: *[Signature]*
 TRAFFIC ENGINEER MANAGER

APPROVED DATE: 9/1/2021



RETANGULAR RAPID FLASHING BEACON SERVICE CABINET DETAIL

STANDARD PLAN NUMBER
T23-02C



NOTE: LOAD CURRENT FOR ALL BREAKER NOT TO EXCEED 80% OF BREAKER AMPERAGE

NOTES:

1. SEE SERVICE ENCLOSURE REQUIREMENTS ON DETAIL **T23-02C**.

I:\CITYPPS\AUTOCAD\STD_DETAILS\DRAWING_FILES\T23-02D

REV NO.	DATE	BY	APPR
1	1/15	RAW	CJC
2	7/19	RAW	CJC
3	9/21	RAW	CJC

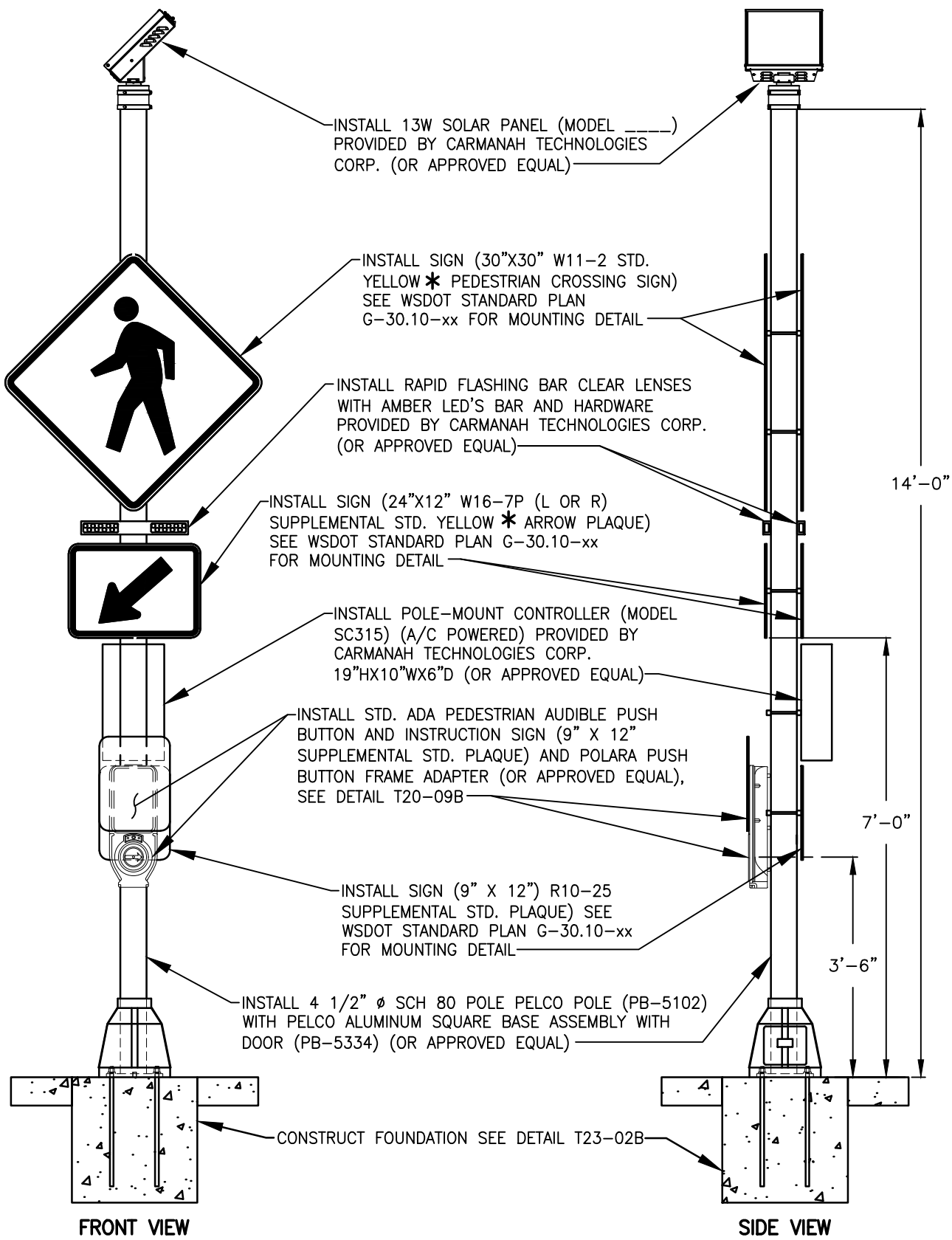
PUBLIC WORKS – STREETS AND TRANSPORTATION

APPROVED BY: *[Signature]*
 TRAFFIC ENGINEER MANAGER
 APPROVED DATE: 9/1/2021



RETANGULAR RAPID FLASHING
 BEACON SERVICE
 CABINET WIRING DIAGRAM

STANDARD PLAN
 NUMBER
 T23-02D



* "YELLOW" SIGNS IN SCHOOL ZONE ARE FLUORESCENT YELLOW-GREEN.

I:\CITYAPPS\AUTOCAD\STD_DETAILS\DRAWING_FILES\T23-03

REV. NO.	DATE	BY	APPR
1	7/19	RAW	CJC
2	9/21	RAW	CJC

PUBLIC WORKS - STREETS AND TRANSPORTATION

APPROVED BY: *[Signature]*
TRAFFIC ENGINEER MANAGER

APPROVED DATE: 9/1/2021



RETANGULAR RAPID FLASHING BEACON ASSEMBLY WITH SOLAR MOUNTED POWER SOURCE

STANDARD PLAN NUMBER
T23-03