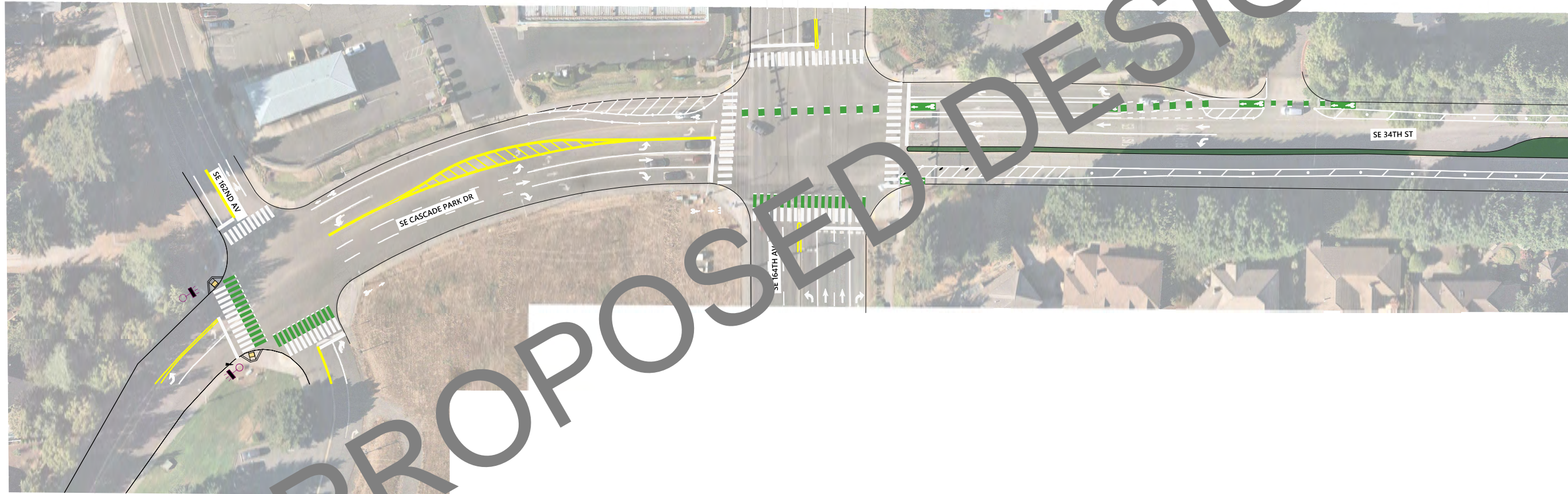
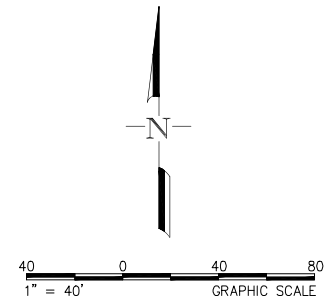


# SE 34th Street Proposed Design



# PROPOSED DESIGN



MATCHLINE - SEE SHEET 2



PUBLIC WORKS  
TRANSPORTATION  
P.O. BOX 1995  
VANCOUVER, WA  
98668-1995  
360-487-7750  
FAX: 360-487-4781

PRELIMINARY  
NOT FOR CONSTRUCTION

DESIGNED BY: KH/CAT	DATE:
DRAWN BY: CAT/RL	
CHECKED BY: KC	
APPROVED BY:	
REVISIONS	

SE 34TH STREET  
COMPLETE STREETS STUDY

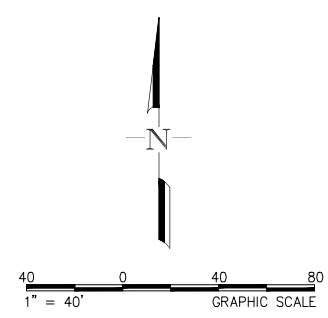
PROJECT NUMBER  
XXXXXXXX  
COST CENTER NUMBER  
CCXXXX

SHEET 1 OF 7

# SE 34th Street Proposed Design



# PROPOSED DESIGN



CONCEPTUAL - NOT FOR CONSTRUCTION. ADDITIONAL DETAILED ANALYSIS AND ENGINEERING DESIGN REQUIRED.

CALL  
2 BUSINESS DAYS  
BEFORE YOU DIG  
1-800-424-5555  
"It's the Law"  
CLARK COUNTY UTILITIES COORDINATING COUNCIL



PUBLIC WORKS  
TRANSPORTATION  
P.O. BOX 1995  
VANCOUVER, WA  
98668-1995  
360-487-7750  
FAX: 360-487-4781

PRELIMINARY  
NOT FOR CONSTRUCTION

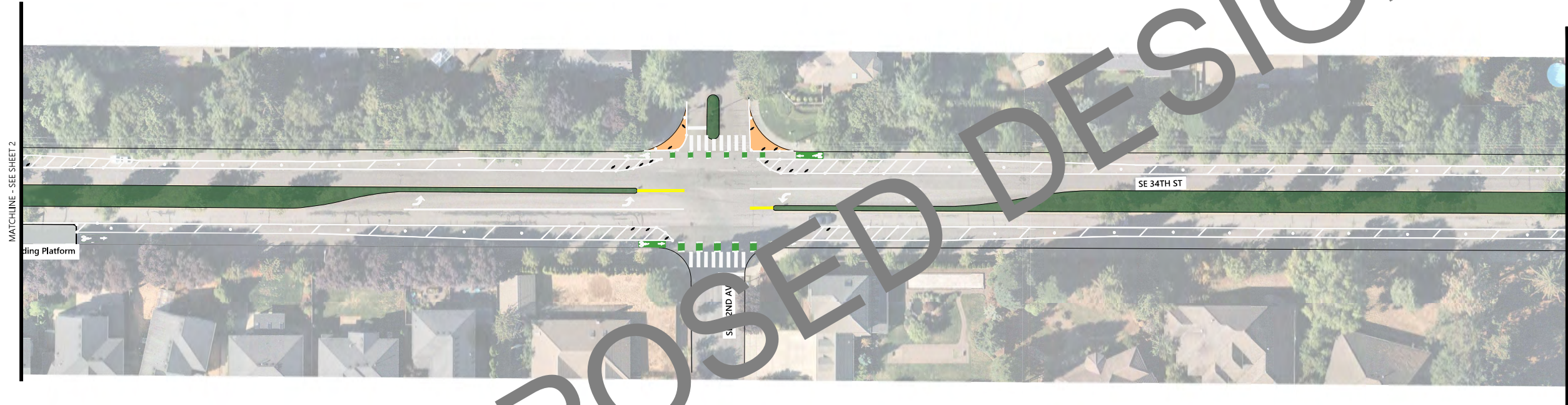
DATE:	DESIGNED BY: KH/CAT	DATE:	DESIGNED BY: KH/CAT
	DRAWN BY: CAT/RL		DRAWN BY: CAT/RL
	CHECKED BY: KC		CHECKED BY: KC
	APPROVED BY:		APPROVED BY:
	REVISIONS		REVISIONS

SE 34TH STREET  
COMPLETE STREETS STUDY

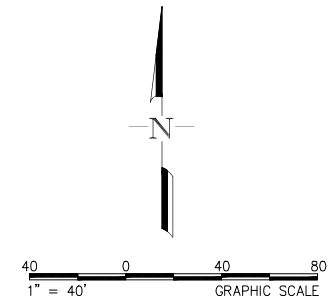
PROJECT NUMBER  
XXXXXXXX  
COST CENTER NUMBER  
CCXXXX

SHEET 2 OF 7

# SE 34th Street Proposed Design



# PROPOSED DESIGN



CONCEPTUAL - NOT FOR CONSTRUCTION. ADDITIONAL DETAILED ANALYSIS AND ENGINEERING DESIGN REQUIRED.

CALL  
2 BUSINESS DAYS  
BEFORE YOU DIG  
1-800-424-5555  
"It's the Law"  
CLARK COUNTY UTILITIES COORDINATING COUNCIL



PUBLIC WORKS  
TRANSPORTATION  
P.O. BOX 1995  
VANCOUVER, WA  
98668-1995  
360-487-7750  
FAX: 360-487-4781

PRELIMINARY  
NOT FOR CONSTRUCTION

DATE:	DESIGNED BY: KH/CAT	DATE:	DESIGNED BY: KH/CAT
DRAWING NUMBER:	DRAWN BY: CAT/RL	CHECKED BY: KC	APPROVED BY:
SCALE	HORIZONTAL: 1" = 40'	VERTICAL: X	REVISIONS

SE 34TH STREET  
COMPLETE STREETS STUDY

PROJECT NUMBER  
XXXXXXXX  
COST CENTER NUMBER  
CCXXXX

SHEET 3 OF 7

# SE 34th Street Proposed Design



PUBLIC WORKS  
TRANSPORTATION  
P.O. BOX 1995  
VANCOUVER, WA  
98668-1995  
360-487-7750  
FAX: 360-487-4781

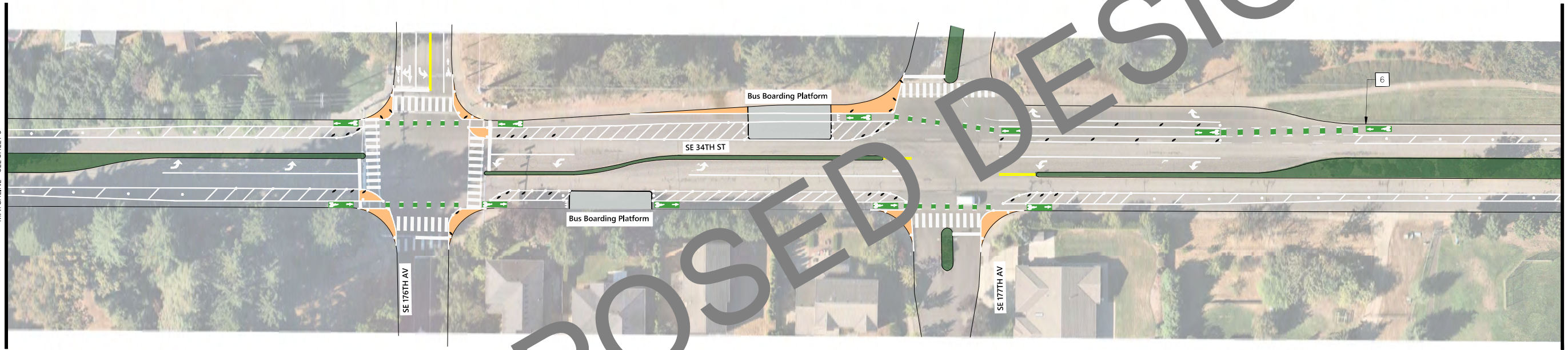
PRELIMINARY  
NOT FOR CONSTRUCTION

DESIGNED BY: KH/CAT	DATE:
DRAWN BY: CAT/RL	
CHECKED BY: KC	
APPROVED BY:	
REVISIONS	

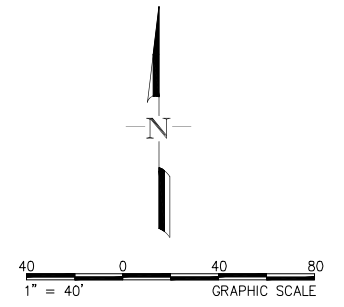
SE 34TH STREET  
COMPLETE STREETS STUDY

PROJECT NUMBER  
XXXXXXXX  
COST CENTER NUMBER  
CCXXXX

SHEET 4 OF 7



# PROPOSED DESIGN

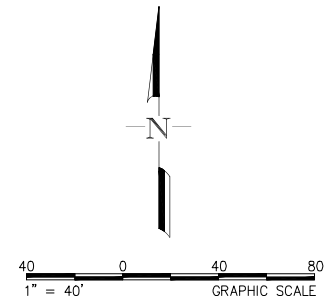


CONCEPTUAL - NOT FOR CONSTRUCTION. ADDITIONAL DETAILED ANALYSIS AND ENGINEERING DESIGN REQUIRED.

# SE 34th Street Proposed Design



# PROPOSED DESIGN



CALL  
2 BUSINESS DAYS  
BEFORE YOU DIG  
1-800-424-5555  
"It's the Law"  
CLARK COUNTY UTILITIES COORDINATING COUNCIL



PUBLIC WORKS  
TRANSPORTATION  
P.O. BOX 1995  
VANCOUVER, WA  
98668-1995  
360-487-7750  
FAX: 360-487-4781

PRELIMINARY  
NOT FOR CONSTRUCTION

DATE:	DESIGNED BY: KH/CAT	DATE:	DESIGNED BY: KH/CAT
	DRAWN BY: CAT/RL		DRAWN BY: CAT/RL
	CHECKED BY: KC		CHECKED BY: KC
	APPROVED BY:		APPROVED BY:
	REVISIONS		REVISIONS

SE 34TH STREET  
COMPLETE STREETS STUDY

PROJECT NUMBER  
XXXXXXXX  
COST CENTER NUMBER  
CCXXXX

SHEET 5 OF 7

# SE 34th Street Proposed Design



PUBLIC WORKS  
TRANSPORTATION  
P.O. BOX 1995  
VANCOUVER, WA  
98668-1995  
360-487-7750  
FAX: 360-487-4781

PRELIMINARY  
NOT FOR CONSTRUCTION

DESIGNED BY: KH/CAT	DATE:
DRAWN BY: CAT/RL	
CHECKED BY: KC	
APPROVED BY:	
REVISIONS	

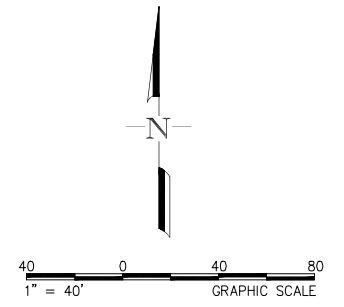
SE 34TH STREET  
COMPLETE STREETS STUDY

PROJECT NUMBER  
XXXXXXXX  
COST CENTER NUMBER  
CCXXXX

SHEET 6 OF 7

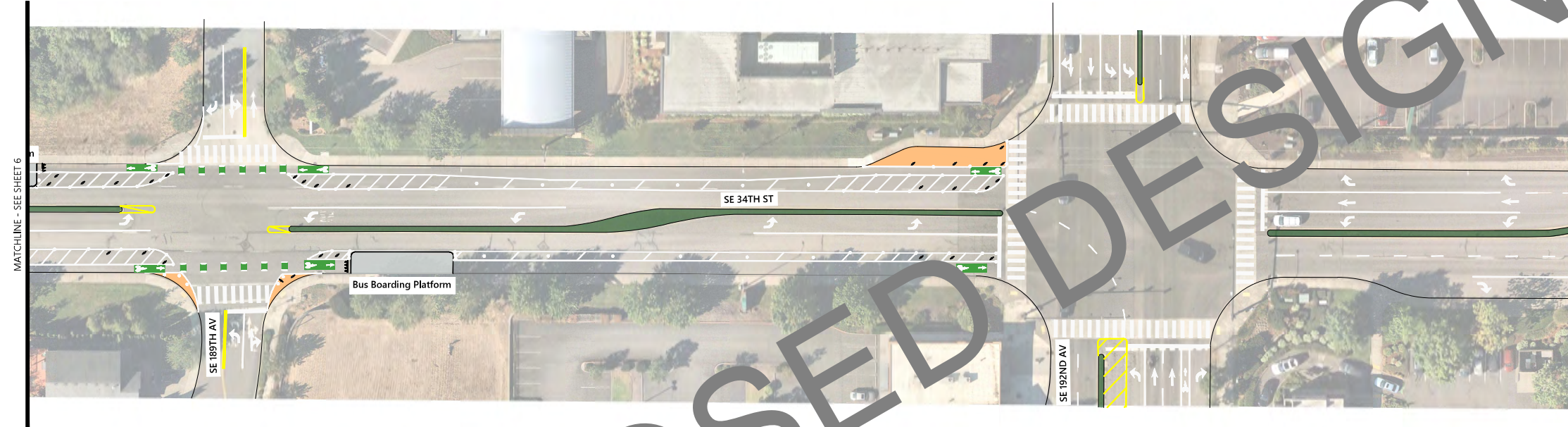


PROPOSED DESIGN

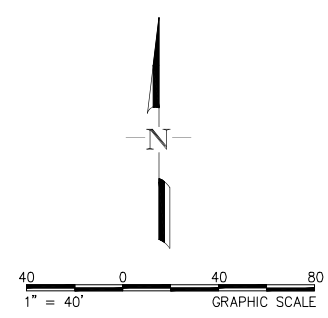


CONCEPTUAL - NOT FOR CONSTRUCTION. ADDITIONAL DETAILED ANALYSIS AND ENGINEERING DESIGN REQUIRED.

# SE 34th Street Proposed Design



# PROPOSED DESIGN



CALL  
2 BUSINESS DAYS  
BEFORE YOU DIG  
1-800-424-5555  
"It's the Law"  
CLARK COUNTY UTILITIES COORDINATING COUNCIL



PUBLIC WORKS  
TRANSPORTATION  
P.O. BOX 1995  
VANCOUVER, WA  
98668-1995  
360-487-7750  
FAX: 360-487-4781

PRELIMINARY  
NOT FOR CONSTRUCTION

DESIGNED BY: KH/CAT	DATE:
DRAWN BY: CAT/RL	
CHECKED BY: KC	
APPROVED BY:	
REVISIONS	

SE 34TH STREET  
COMPLETE STREETS STUDY

PROJECT NUMBER  
XXXXXXXX  
COST CENTER NUMBER  
CCXXXX

SHEET 7 OF 7