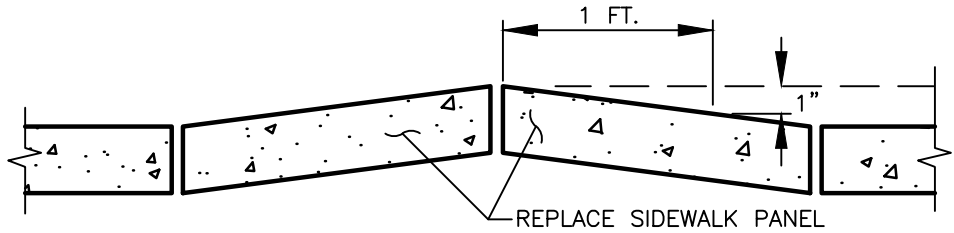
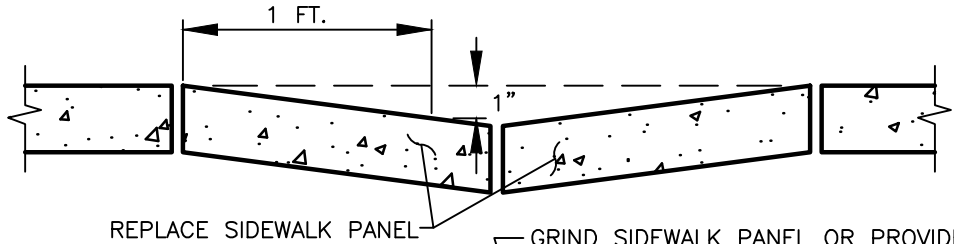


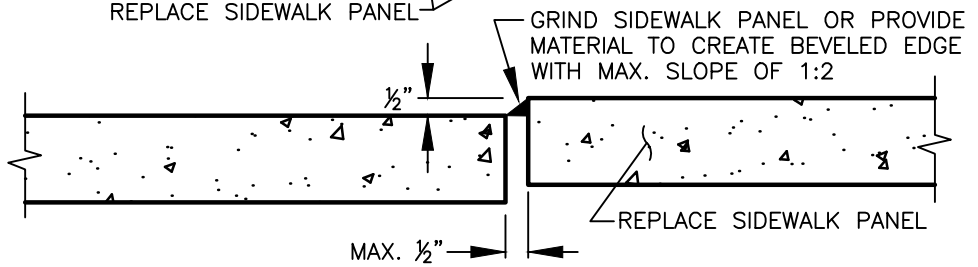
1) RAISED SIDEWALK
(REPLACE PANELS)



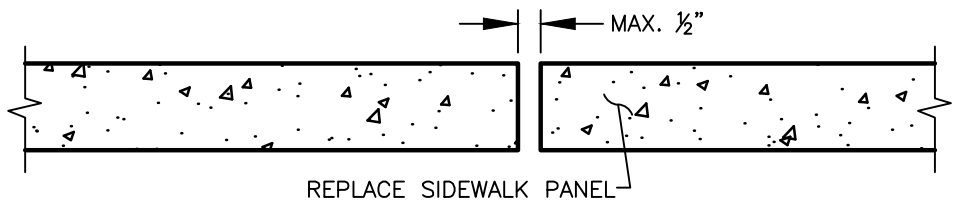
2) SUNKEN SIDEWALK
(REPLACE PANELS)



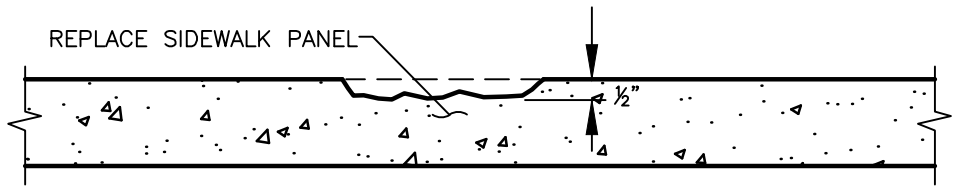
3) STEP SEPARATIONS
(REPLACE PANEL OR PROVIDE BEVELED EDGE AT 1:2 SLOPE)



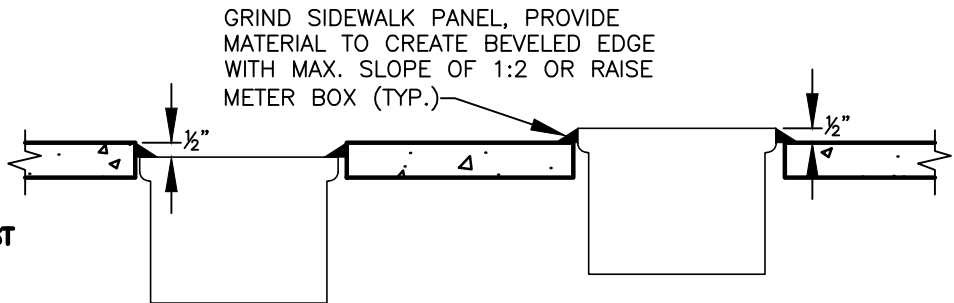
4) OPENING IN SIDEWALK
(REPLACE PANEL)



5) SPALLING OF SIDEWALK
(REPLACE DAMAGED PANEL)



6) METER BOXES
(REPLACE PANEL, PROVIDE BEVELED EDGE AT 1:2 SLOPE OR ADJUST METER BOXES TO MEET SIDEWALK EDGE)



7) BROKEN CURB

8) OTHER HAZARD

NOTE:

1. PAVERS SHALL FOLLOW THE SAME CRITERIA AS CONCRETE SIDEWALKS.
2. REPAIR OPTIONS ARE IN PARENTHESIS (XXX).



SIDEWALK REPLACEMENT MINIMUM CRITERIA TO ENSURE ADA COMPLIANCE AND REPAIR OPTIONS

CITY OF VANCOUVER
DEPARTMENT OF PUBLIC WORKS
TRANSPORTATION DIVISION

DRAWN BY	APPROVED BY	APPROVAL DATE
CDG	<i>M.H.H.</i>	2/07
REVISION	APPROVED BY	APPROVAL DATE
5	<i>M.H.H.</i>	3/24

STD. PLAN NO.
T02-01D