

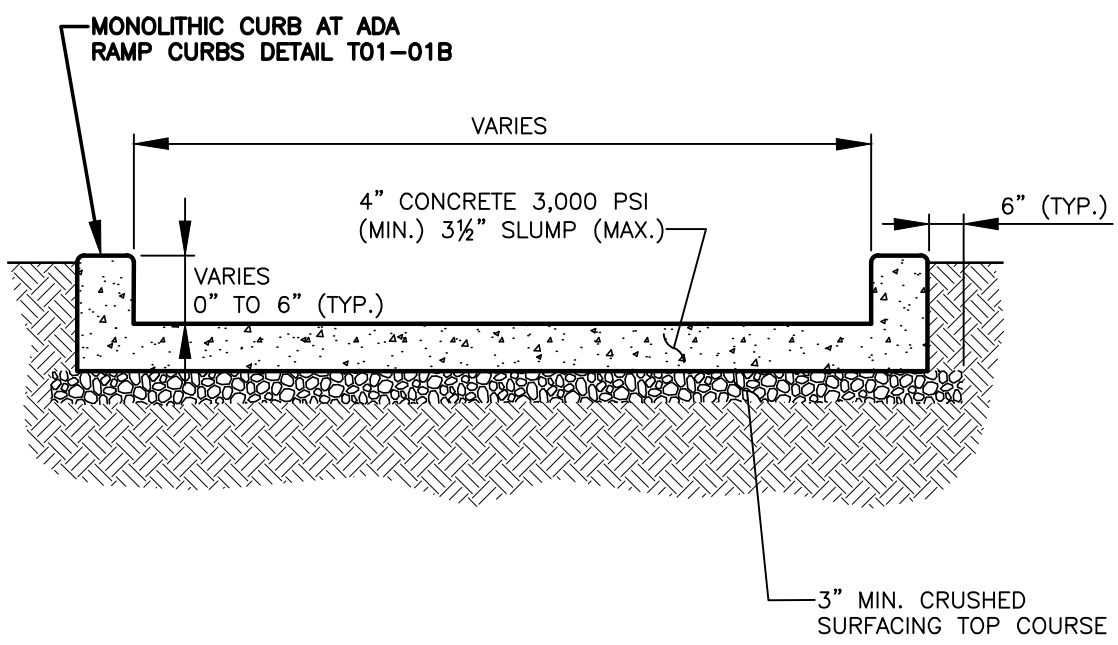
4" CONCRETE 3,000 PSI
(MIN.) 3½" SLUMP (MAX.)

3" MIN. CRUSHED
SURFACING TOP COURSE

DETECTABLE WARNING
PATTERN DETAIL T02-15

CURB AND GUTTER AT
ADA RAMP CURBS
DETAIL T01-01B

SECTION A-A
FOR DETAILS T02-04B AND T02-08



SECTION B-B
FOR DETAIL T02-08

NOTES:

1. TYPE A-1 AND E-1 CURB (SEE **CONCRETE CURBS DETAIL T01-01A**) POURED SEPARATELY FROM RAMPS.
ADA RAMP AND GRADE CORRECTION CURBS POURED MONOLITHICALLY.
2. COMPACT SUBGRADE AND CRUSHED SURFACING TOP COURSE TO 95% OF MAXIMUM DRY DENSITY (3" MIN. DEPTH).

**** 7.5% OR FLATTER RECOMMENDED
FOR DESIGN/FORMWORK (8.3% MAX.)**

I:\CITYAPPS\AUTOCAD\STD_DETAILS\DRAWING_FILES\T02-11.DWG



STANDARD LANDING CROSS SECTIONS A-A AND B-B															
CITY OF VANCOUVER DEPARTMENT OF PUBLIC WORKS TRANSPORTATION DIVISION		<table border="1"> <tr> <td>DRAWN BY</td> <td>APPROVED BY</td> <td>APPROVAL DATE</td> </tr> <tr> <td>CDC</td> <td><i>M.H.H.</i></td> <td>8/04</td> </tr> <tr> <td>REVISION</td> <td>APPROVED BY</td> <td>APPROVAL DATE</td> </tr> <tr> <td>7</td> <td><i>M.H.H.</i></td> <td>3/24</td> </tr> </table>	DRAWN BY	APPROVED BY	APPROVAL DATE	CDC	<i>M.H.H.</i>	8/04	REVISION	APPROVED BY	APPROVAL DATE	7	<i>M.H.H.</i>	3/24	STD. PLAN NO. T02-11
DRAWN BY	APPROVED BY	APPROVAL DATE													
CDC	<i>M.H.H.</i>	8/04													
REVISION	APPROVED BY	APPROVAL DATE													
7	<i>M.H.H.</i>	3/24													