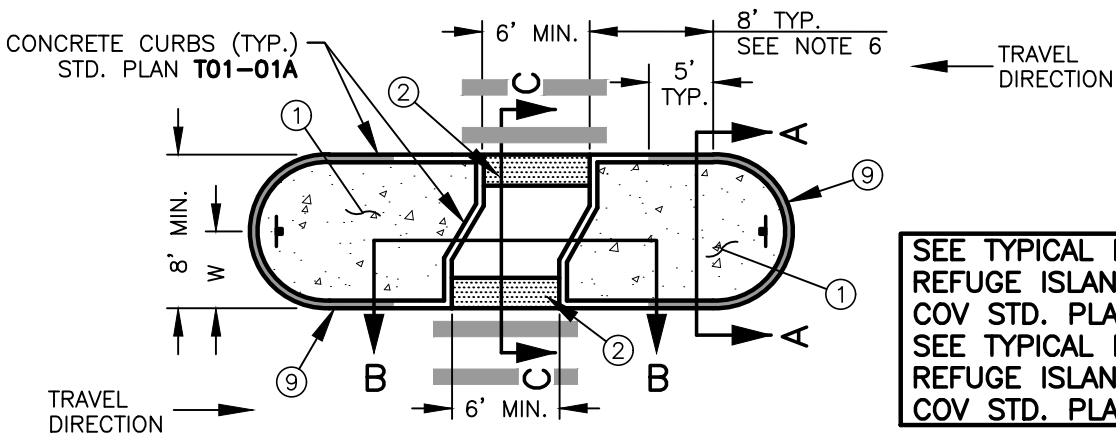
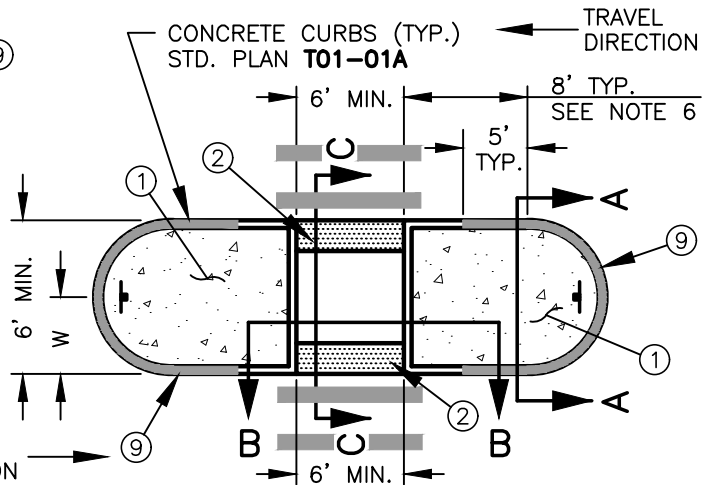
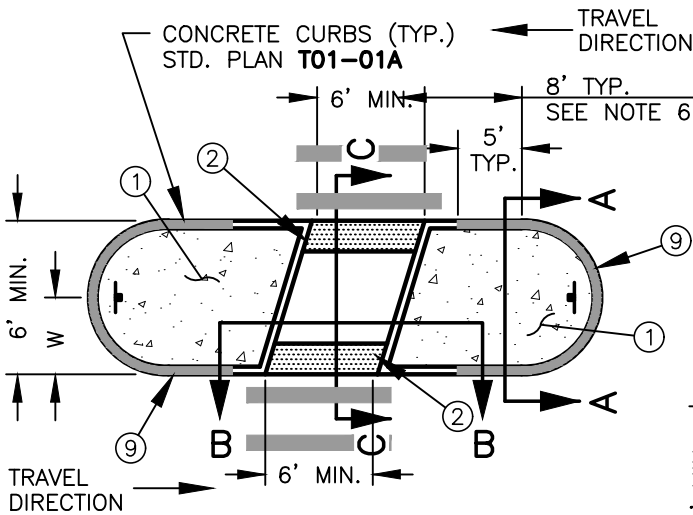


PREFERRED PEDESTRIAN REFUGE ISLAND (10' MIN)



SEE TYPICAL PEDESTRIAN REFUGE ISLAND SECTIONS ON COV STD. PLAN T02-17C. SEE TYPICAL PEDESTRIAN REFUGE ISLAND NOTES ON COV STD. PLAN T02-17D.

ALTERNATE PEDESTRIAN REFUGE ISLAND - OPTION A (8' MIN)



ALTERNATE PEDESTRIAN REFUGE ISLAND - OPTION B (6' MIN)

I:\CITYAPPS\AUTOCAD\STD_DETAILS\DRAWING_FILES\T02-17A.DWG



PEDESTRIAN REFUGE ISLAND MID-BLOCK

CITY OF VANCOUVER
DEPARTMENT OF PUBLIC WORKS
TRANSPORTATION DIVISION

DRAWN BY	APPROVED BY	APPROVAL DATE
CDC	<i>M.H.H.</i>	3/06
REVISION	APPROVED BY	APPROVAL DATE
7	<i>M.H.H.</i>	3/24

STD. PLAN NO.
T02-17A