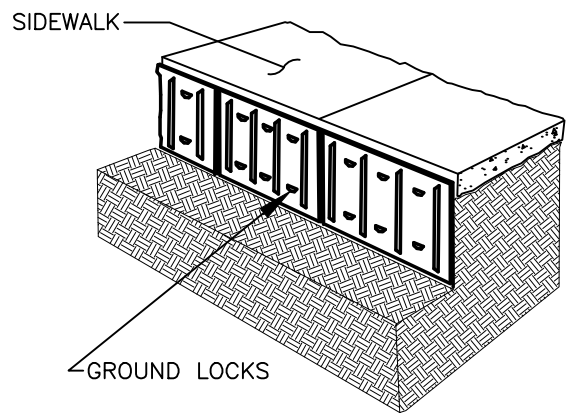
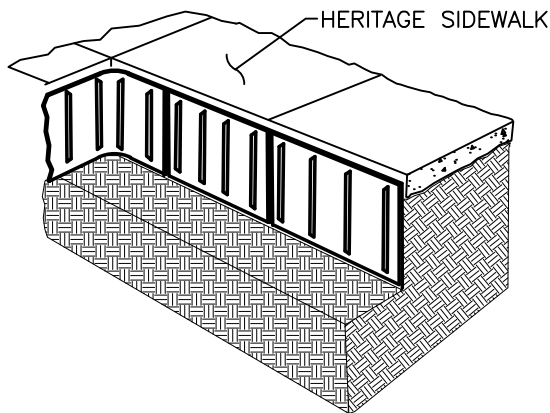
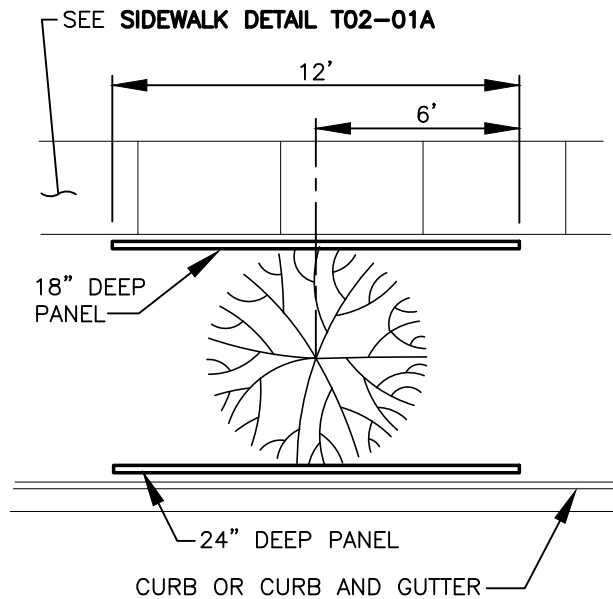
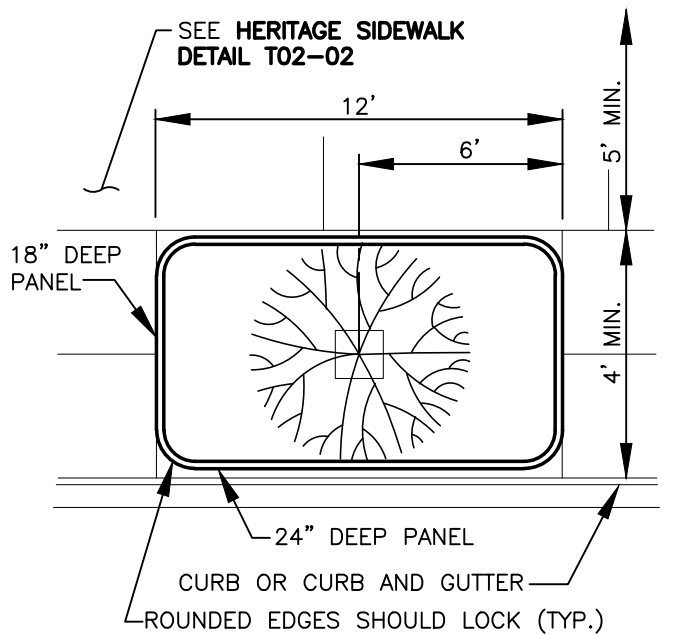


NOTES:

1. DETERMINE THE CORRECT NUMBER OF PANELS TO BE USED. DEPENDING UPON THE ACTUAL PLANTING PLAN AND THE NUMBER OF TREES INVOLVED THE LENGTH OF LINEAR BARRIER WILL VARY, BUT AS A GENERAL RULE OF THUMB TAKE THE ANTICIPATED MATURE CANOPY DIAMETER OF THE TREE AND ADD 2 FEET (61CM). THIS WILL BE THE NUMBER OF FEET NECESSARY FOR A LINEAR STYLE PLANTING APPLICATION. (SEE CHART BELOW.)
2. CHOOSE THE BARRIER THAT BEST SUITS THE APPLICATION. GENERALLY IF A SIDEWALK, PATIO OR DRIVEWAY IS TO BE PROTECTED, 18" IS SUFFICIENT DEPTH, WITH 12" AS AN ALTERNATE CHOICE FOR NON-AGGRESSIVE, DEEPER ROOTING TREES. HOWEVER FOR CURB AND GUTTER PROTECTION OR MORE AGGRESSIVE ROOTS 24" IS GENERALLY THE BETTER CHOICE.
3. DIG THE TRENCH TO THE DEPTH BASED UPON THE PARTICULAR BARRIER CHOSEN.
4. NEXT PLACE THE BARRIER IN THE TRENCH WITH THE VERTICAL RIBS FACING TOWARD THE TREE AND ALIGN IN A STRAIGHT FASHION. IT IS HELPFUL TO PLACE THE BARRIER AGAINST THE HARDSCAPE. USE THE HARDSCAPE AS A GUIDE AND BACKFILL AGAINST THE BARRIERS TO PROMOTE A CLEAN SMOOTH FIT TO THE HARDSCAPE. BE SURE TO KEEP THE BARRIER'S DOUBLE TOP EDGE AT LEAST 1/2" ABOVE GRADE TO ENSURE ROOTS DO NOT GROW OVER THE TOP.
5. PLANT THE TREE(S). THE LINEAR STYLE OFFERS A MORE EXPANSIVE ROOTING GROWTH AREA, HOWEVER ADVERSE SOIL AND DRAINAGE CONDITIONS MAY EXIST IN THE ACTUAL PLANTING AREA. TAKE STEPS TO ENSURE HEALTHY GROWTH OF THE TREE AT PLANTING. CONSULT WITH A LOCAL ARBORIST FOR PLANTING TIPS AND RECOMMENDATIONS.



I:\CITYAPPS\AUTOCAD\STD_DETAILS\DRAWING_FILES\T03-22A.DWG



CITY OF VANCOUVER
DEPARTMENT OF PUBLIC WORKS
TRANSPORTATION DIVISION

ROOT BARRIER INSTALLATION

DRAWN BY	APPROVED BY	APPROVAL DATE
CDC	<i>M.H.H.</i>	3/16
REVISION	APPROVED BY	APPROVAL DATE
3	<i>M.H.H.</i>	3/24

STD. PLAN NO.
T03-22A