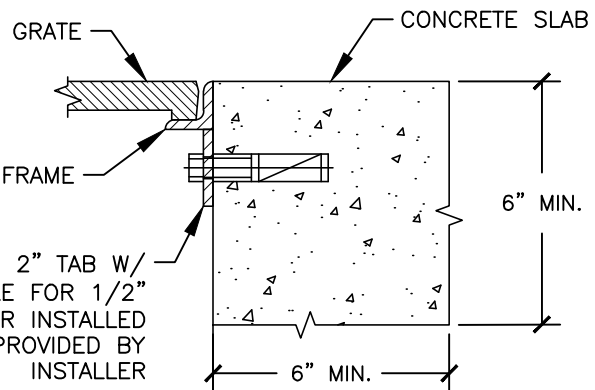


TAB, EQUAL SPACING NOT TO EXCEED 18" O.C. TYP.

ANGLE STOCK PERIMETER FRAME  
 TYP. 1/4" X 2" X 2" TAB W/  
 9/16" HOLE FOR 1/2"  
 CONCRETE ANCHOR INSTALLED  
 PER MFR. INSTR., PROVIDED BY  
 INSTALLER



**NOTES:**

1. FRAMES ARE CONSTRUCTED OF MILD STEEL ASTM A36 UNLESS SPECIFIED OTHERWISE.
2. FINISH WILL BE NATURAL PATINA OF RAW STEEL UNLESS SPECIFIED OTHERWISE.
3. FRAME IS LOAD RATED FOR PEDESTRIAN TRAFFIC ONLY UNLESS SPECIFIED OTHERWISE.
4. TYPICAL 1/8" HORIZONTAL GAP BETWEEN GRATE AND FRAME. ALL VISIBLE WELDS TO BE GROUND SMOOTH ON OUTSIDE EDGES. FRAMES WILL BE TRUE TO SQUARE OR DIAMETER. TOP OF GRATE FLUSH WITH GRADE OF SURROUNDING TOPPING MATERIAL (PAVER, CONCRETE SLAB, ETC.).
5. DIMENSIONS ARE NOMINAL.

**4' X 8' TREE GRATE FRAME RETRO-FIT**



CITY OF VANCOUVER  
 DEPARTMENT OF PUBLIC WORKS  
 TRANSPORTATION DIVISION

DRAWN BY	APPROVED BY	APPROVAL DATE
CDC	<i>M.H.H.</i>	2/21
REVISION	APPROVED BY	APPROVAL DATE
3	<i>M.H.H.</i>	3/24

STD. PLAN NO.  
**T03-26D**