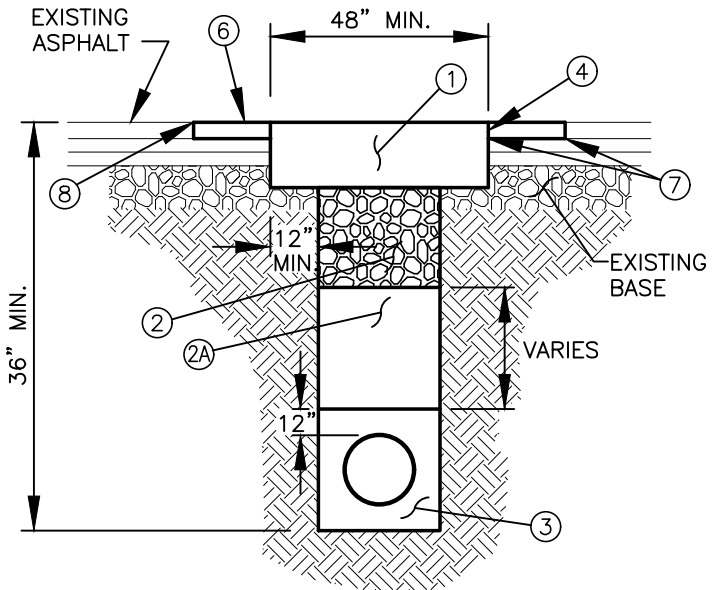


- ① HOT MIX ASPHALT CLASS 1/2" PG 58H-22 CONSTRUCTED IN ACCORDANCE SECTION 5-04 OF THE WSDOT STANDARD SPECIFICATIONS. COMPACTION SHALL BE 92% OF MAXIMUM DENSITY AS DETERMINED BY WSDOT FOP FOR AASHTO T209.

HOT MIX ASPHALT AND BASE THICKNESS PER CHART ON **T05-04A, NOTE 4.**

IF EXISTING SECTION IS GREATER THAN THE VALUE IN THE TABLE, INSTALL 1" GREATER THAN EXISTING ASPHALT THICKNESS. MINIMUM LIFT THICKNESS IS 0.15' - MAXIMUM HMA LIFT THICKNESS IS 0.35' FOR BASE COURSE, 0.25' FOR WEARING COURSE.

THE MIX TEMPERATURE SHALL BE 325 DEGREES MAXIMUM AT THE TIME OF PLANT DISCHARGE. AT THE TIME OF PLACEMENT, THE MIX TEMPERATURE SHALL BE 250 DEGREES MINIMUM.



- ①A HARD SURFACING REQUIRED SAME DAY AS STREET OPENING ON OR WITHIN 30 FT. OF ALL ARTERIAL CLASSIFICATIONS, AND STREETS IN CX ZONING AND INDUSTRIAL AREAS. VMC 11.80.100 (D)(8).
- ② BASE ROCK SHALL CONSIST OF CRUSHED SURFACING BASE COURSE, MEETING THE REQUIREMENTS OF SECTION 4-04 OF THE STANDARD SPECIFICATIONS. COMPACTION SHALL BE TO 95% MAXIMUM DENSITY. EACH LIFT SHALL NOT EXCEED 0.5'.
- ②A TRENCH ZONE - GRAVEL BACKFILL PER WSDOT SPECIFICATIONS FOR GRAVEL BACKFILL (SECTION 9-03.10, AGGREGATE FOR GRAVEL BASE). COMPACTION TO 95% OF MAXIMUM DENSITY IN THE TRENCH ZONE USING METHOD C COMPACTION AS PER SECTION 2-03.3 (14). THE ENGINEER WILL EVALUATE THE BACKFILL BASED ON GRADATION AND MOISTURE. MATERIALS WET OF OPTIMUM MOISTURE CONTENT MAY BE REJECTED. MATERIALS DRY OF OPTIMUM MOISTURE CONTENT WILL NEED ADDITIONAL MOISTURE DURING COMPACTION.

TRENCH ZONE WIDTH
PIPE 8 IN. OR MORE = PIPE O.D. +2 FT. OR AS DIRECTED BY THE ENGINEER
PIPE 6 IN. OR LESS = PIPE O.D. +1 FT. OR AS DIRECTED BY THE ENGINEER

- ③ PIPE BEDDING AND PIPE ZONE BACKFILL MATERIALS SHALL BE PER UTILITY OWNERS AND/OR CITY SPECIFICATIONS. DEPTH OF COVER MAY BE ADJUSTED PER UTILITY OWNERS, AND/OR CITY SPECIFICATIONS. 90% COMPACTION PER SECTION 7-08.3(1)C OF THE STANDARD SPECIFICATIONS.
- ④ THE EXISTING ROAD SURFACE SHALL BE CUT IN A NEAT LINE PRIOR TO PAVEMENT REPLACEMENT BY SAWCUTTING, WHEEL CUTTER, OR PLANING EQUIPMENT. THIS WILL BE REQUIRED AROUND THE PERIMETER OF ALL EXCAVATIONS TO PROVIDE CLEAN, STRAIGHT, VERTICAL SIDES. THE CUT LINE SHALL BE ONE CONTINUOUS, FULL ASPHALT DEPTH, STRAIGHT LINE MIN. 12" FROM THE OUTER EXCAVATION LIMITS OR OF ANY SLOUGHING OF THE STREET CUT.

ALL TRENCHES SHALL BE 12" MIN. FROM EXISTING CURB TO ALLOW FOR CONSTRUCTION OF T-CUT SECTION. REMNANT ASPHALT SHALL BE REMOVED AND REPLACED PER **NOTE 5 ON STANDARD TRENCH RESTORATION - NOTES T05-04A.**

- ⑤ 48" MIN. PAVEMENT RESTORATION AROUND MANHOLES, VALVES AND VAULTS MEASURED FROM EDGE PER **T05-01B**; ARTERIAL ROADWAYS, AND ROADWAYS WITH PCI GREATER THAN 70. MAY REQUIRE ADDITIONAL RESTORATION PER **T05-01B** AND **T05-07**. FOR CONCRETE RESTORATION CONTACT PAVEMENT MANAGEMENT AT (360)487-8177.
- ⑥ THE MINIMUM WEARING COURSE LIFT WIDTH SHALL BE EXPANDED TO LANE LINES PER STANDARD PLAN **T05-01B PAVEMENT RESTORATION LIMITS** AND/OR **T05-07** OR AS DIRECTED BY THE ENGINEER.
- ⑦ THE EDGES OF ALL EXISTING ASPHALT SURFACES SHALL BE CLEANED AND A TACK COAT SHALL BE APPLIED PER SECTION 5-04 OF THE STANDARD SPECIFICATIONS.
- ⑧ ALL JOINTS SHALL BE SEALED USING HEATED PAVING ASPHALT AND SANDED SAME DAY AS PAVING.

I:\CITYAPPS\AUTOCAD\STD_DETAILS\DRAWING_FILES\T05-05.DWG



STANDARD TRENCH RESTORATION - HMA - GRANULAR BACKFILL

CITY OF VANCOUVER
DEPARTMENT OF PUBLIC WORKS
TRANSPORTATION DIVISION

DRAWN BY	APPROVED BY	APPROVAL DATE
CDC	<i>M.H.H.</i>	8/04
REVISION	APPROVED BY	APPROVAL DATE
7	<i>M.H.H.</i>	3/24

STD. PLAN NO.
T05-05