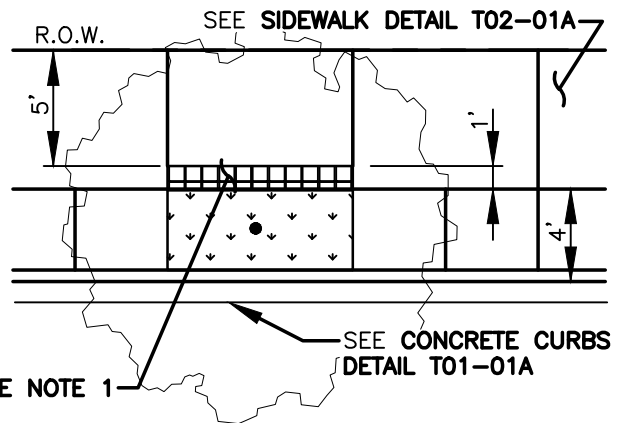


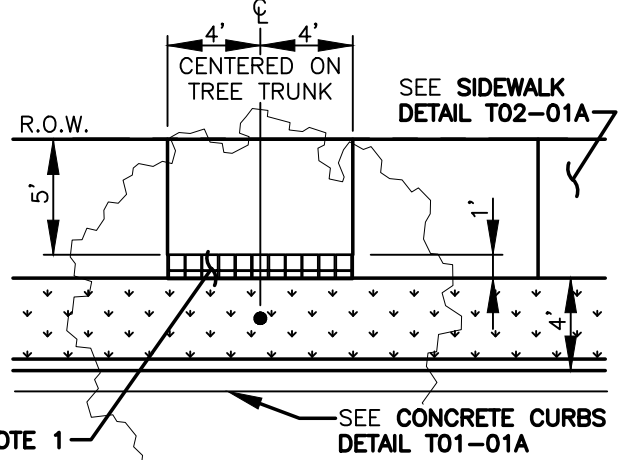
BOSQUE FEATURE: PAVER AT TREE WELL
NO SCALE

NOTE:

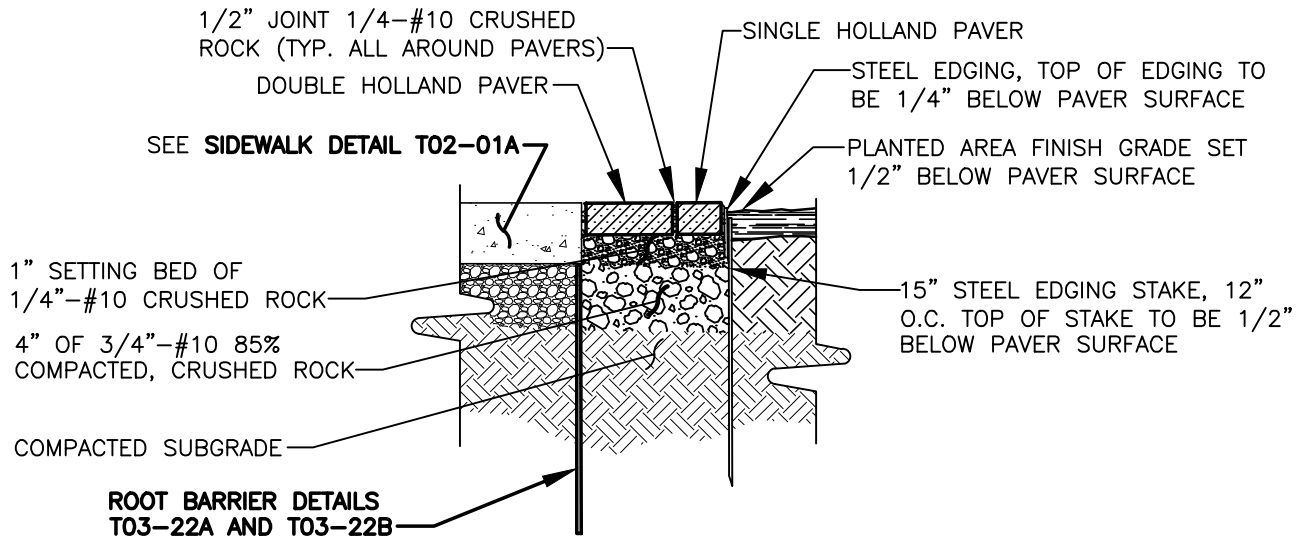
- (1) ROW EACH OF SINGLE AND DOUBLE HOLLAND PAVERS, LAID AS SHOWN, EQUAL SPACING. SEE SECTION A-A THIS DRAWING. COLOR: CHARCOAL WITH STANDARD FINISH.



GREEN NECKLACE NORTH AND COMMERCIAL STREET: PAVER AT TREE WELL
NO SCALE



GREEN NECKLACE NORTH: PAVER AT PLANTER STRIP
NO SCALE



SECTION A-A
NO SCALE

I:\CITYAPPS\AUTOCAD\STD_DETAILS\DRAWING_FILES\T06-07.DWG



FOURTH PLAIN BOULEVARD PAVER AT TREE WELL AND PLANTER STRIP

CITY OF VANCOUVER
DEPARTMENT OF PUBLIC WORKS
TRANSPORTATION DIVISION

DRAWN BY	APPROVED BY	APPROVAL DATE
CDC	<i>M.H.H.</i>	8/08
REVISION	APPROVED BY	APPROVAL DATE
5	<i>M.H.H.</i>	3/24

STD. PLAN NO.
T06-07