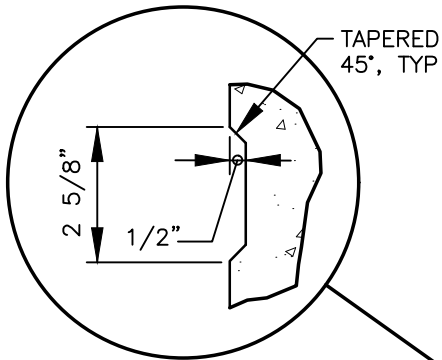
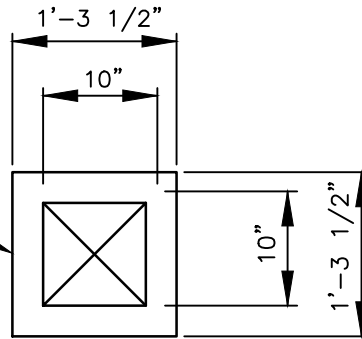


**1-#4 BAR WRAPPED**

FOOTING



6" DIA. CIRCLE RECESSED

3/4" SCH. 40 STEEL PIPE, 1.05" O.D. x 4'-0".  
PRECAST 2'-0" INTO BOLLARD

4-#4 BAR TYP HOLD IN 2" ALL SIDES

CONCRETE WITH SAND BLAST FINISH

SEE PLANS FOR TYPE OF MATERIAL

**EXPANSION JOINT T05-02**

POUR TOP OF FOOTING  
LEVEL WITH FINISH GRADE,  
WITH SMOOTH TROWEL  
FINISH AND WITH 1/4"  
RADIUS EDGES

EPOXY BOND UNDER BOLLARD (TYP.)

1-#4 BAR WRAPPED (SEE DETAIL ABOVE)

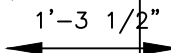
1 1/4" SCH. 80 PVC PIPE SLEEVE,  
(1.278" I.D.) x 2'-6". INSTALL TRUE VERTICAL

2-#4 BAR X 2'-0"

3" CLEAR

4" MIN. DEPTH CRUSHED  
SURFACING TOP COURSE

COMPACT SUBGRADE AND CRUSHED  
SURFACING TOP COURSE TO 95%  
MAXIMUM DRY DENSITY



**NOTE:**

BOLLARD IS DESIGNED TO BE FIXED BUT REPLACEABLE. FOR REMOVABLE BOLLARD, OMIT EPOXY BOND.

**PRECAST CONCRETE BOLLARD**



CITY OF VANCOUVER  
DEPARTMENT OF PUBLIC WORKS  
TRANSPORTATION DIVISION

DRAWN BY	APPROVED BY	APPROVAL DATE
CDC	<i>M.H.H.</i>	8/04
REVISION	APPROVED BY	APPROVAL DATE
7	<i>M.H.H.</i>	3/24

STD. PLAN NO.  
**T07-02**