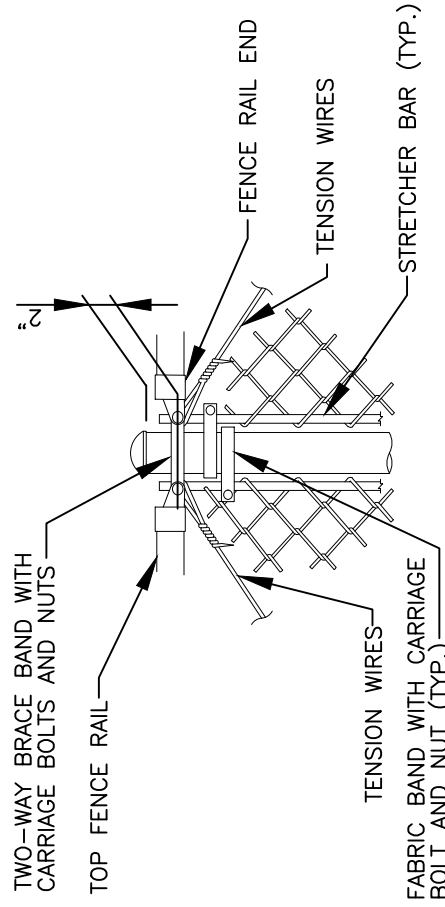
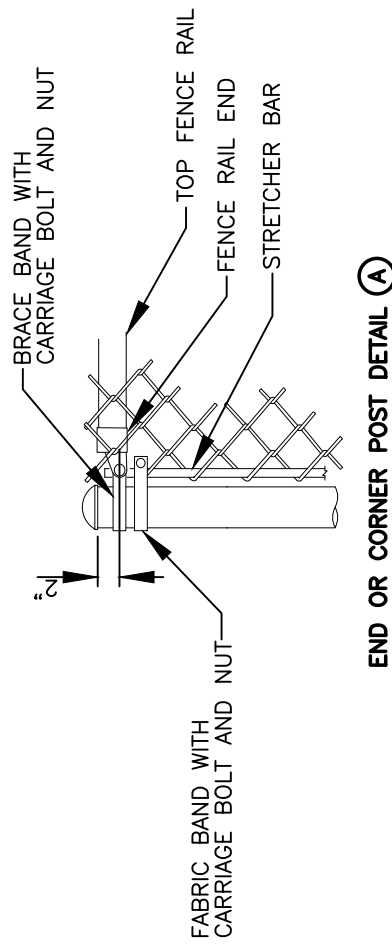


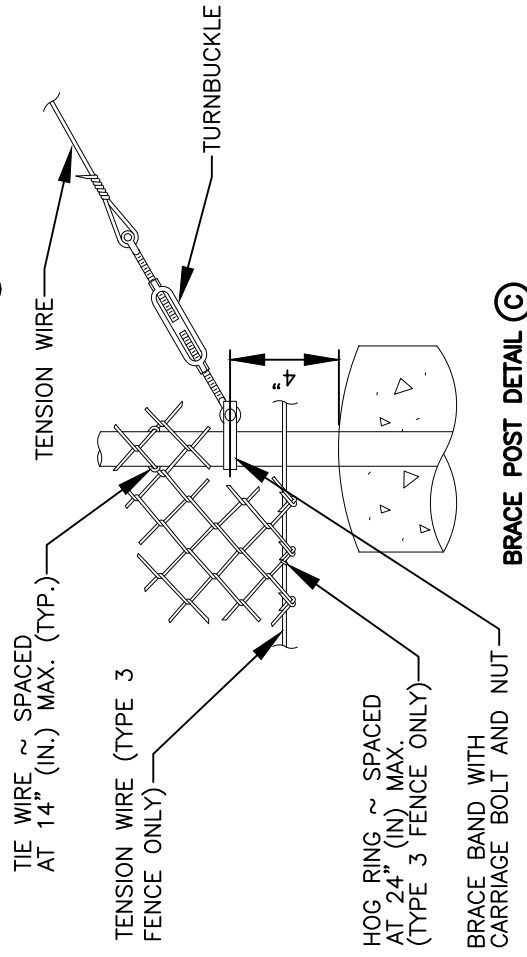
PULL POST (AT END OR CORNER) DETAIL B



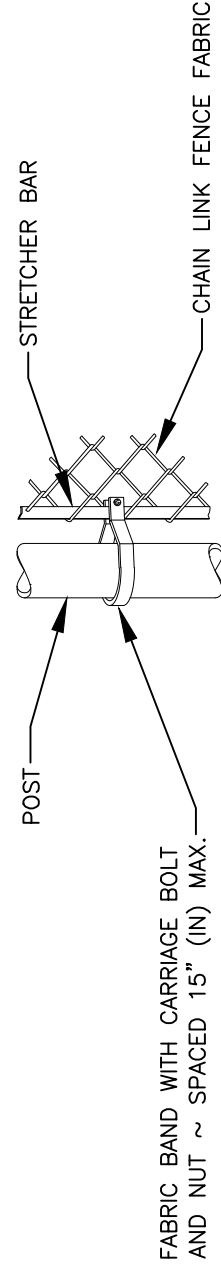
PULL POST (WITHIN RUN) DETAIL D



END OR CORNER POST DETAIL A



BRACE POST DETAIL C



METHOD OF FASTENING STRETCHER BAR TO POST DETAIL E



CHAIN LINK FENCE BLOW-UP DETAILS TYPES 3 AND 4

CITY OF VANCOUVER
DEPARTMENT OF PUBLIC WORKS
TRANSPORTATION DIVISION

DRAWN BY	APPROVED BY	APPROVAL DATE	STD. PLAN NO.
CDC	MARL	3/16	T07-07B
REVISION	APPROVED BY	APPROVAL DATE	
3	MARL	3/24	