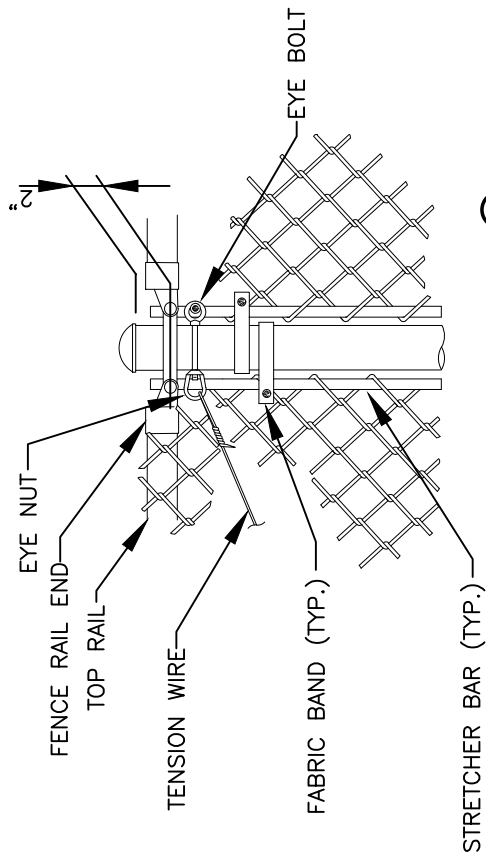
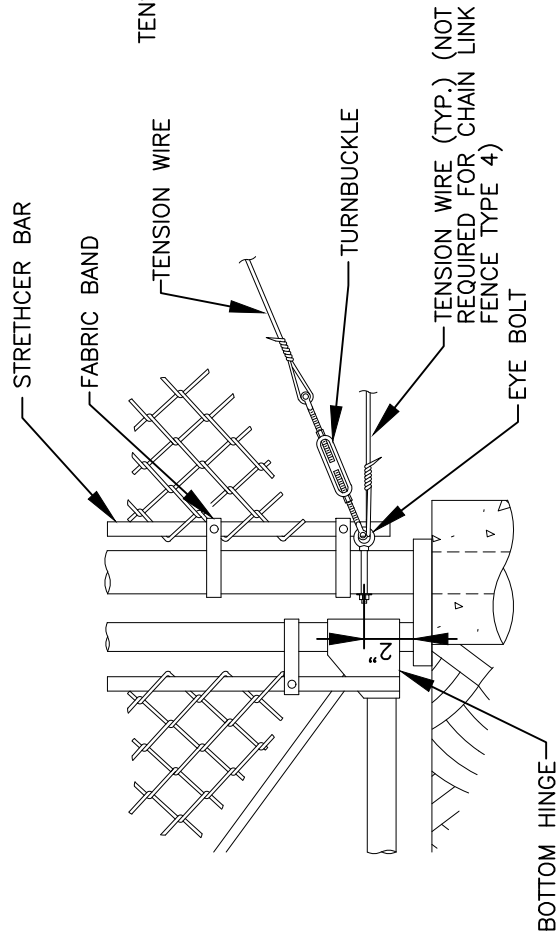


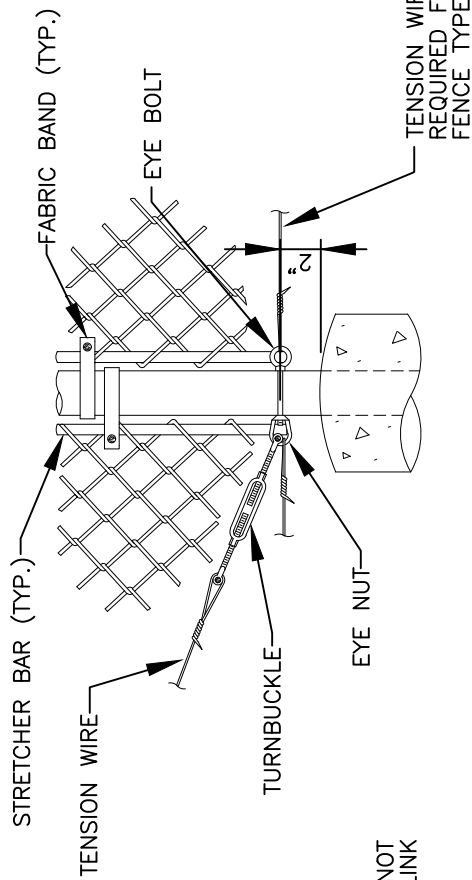
GATE POST DETAIL A



PULL POST DETAIL B



GATE POST DETAIL C



PULL POST DETAIL D



CHAIN LINK GATE BLOW-UP DETAILS TYPES 3 AND 4

CITY OF VANCOUVER
DEPARTMENT OF PUBLIC WORKS
TRANSPORTATION DIVISION

DRAWN BY	APPROVED BY	APPROVAL DATE	STD. PLAN NO.
CDC	MARL	3/16	T07-08C
REVISION	APPROVED BY	APPROVAL DATE	
3	MARL	3/24	