

**SPECIFICATIONS**

GENERAL DESCRIPTION:

THE LIGHTING POST SHALL BE ALL STEEL, ONE PIECE CONSTRUCTION, CONSISTING OF A TAPERED SHAFT WELDED TO A STEEL ANCHOR BASE. THE SINGLE OUC SERIES ARM WILL HAVE A SPAN OF 45”.

MATERIAL:

THE SHAFT SHALL CONFORM TO ASTM A595 GRADE-A AND IS SUPPLIED IN 11GA THICKNESS. THE ANCHOR BASE IS FABRICATED FROM STRUCTURAL QUALITY HOT ROLLED CARBON STEEL PLATE CONFORMING TO ASTM A36. THE BASE PLATE TELESCOPES THE POLE SHAFT AND IS CIRCUMFERENTIALLY WELDED TOP AND BOTTOM.

DIMENSIONS:

THE POST SHALL BE 20’-0” IN HEIGHT. A  $\phi 3.5$ ” BY 8” TENON WILL BE PROVIDED FOR ARM MOUNTING.

WIRE ACCESS:

A REINFORCING HANDHOLE RIM IS PROVIDED ON THE POST AND IS MADE OF A RECTANGULAR SHAPED TUBING MATERIAL. IT IS PROVIDED WITH ONE OR TWO STEEL ATTACHMENT BARS, STEEL COVER, AND ONE OR TWO ROUND HEAD MACHINE SCREWS. THE HANDHOLE IS WELDED IN THE POST SHAFT AND IS LOCATED 1’-6” ABOVE THE BASE.

INSTALLATION:

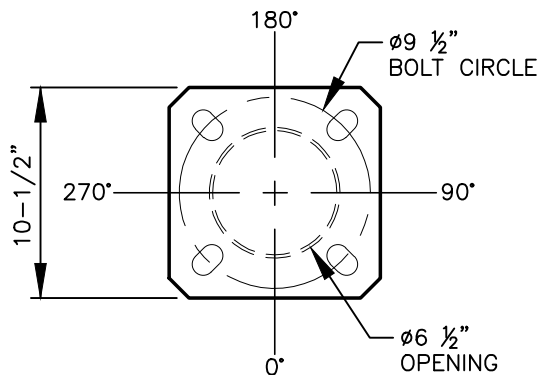
THE POST WILL USE FOR L-TYPE ANCHOR BOLTS TO BE INSTALLED ON A  $\phi 9.5$ ” BOLT CIRCLE.

FINISH:

THE ENTIRE POST ASSEMBLY WILL HAVE A STANDARD HOLOPHANE BLACK FINISH.

LUMINAIRE:

- MEMPHIS LED PEDESTRIAN
  - 77W 700MA DRIVER, 4 K CCT
  - AUTO-SENSING 120-277V
  - TEARDROP ASYMMETRIC
- FOR COMPLETE SPECIFICATIONS SEE LUM\_MSPL.



DO NOT USE TO SET ANCHOR BOLTS  
CONTACT CUSTOMER SERVICE FOR TEMPLATE

**ANCHORAGE DETAIL**

HOLOPHANE CATALOG #'S:  
DS210-650A200P9-CH17AC-AB-27-4  
-RFD170638-OUC45/1CABKH-MSPL  
-MSPL2-P40-40K-MVOLT-QSM-BK; LEVELING FITTER: GWDF13200BK

I:\CITYAPPS\AUTOCAD\STD\_DETAILS\DRAWING\_FILES\T08-31.DWG



CITY OF VANCOUVER  
DEPARTMENT OF PUBLIC WORKS  
TRANSPORTATION DIVISION

**WATERFRONT / HEIGHTS DISTRICT REDEVELOPMENT  
LED STREET LIGHT STANDARD**

DRAWN BY	APPROVED BY	APPROVAL DATE
CDC	<i>MAHE</i>	9/21
REVISION	APPROVED BY	APPROVAL DATE
3	<i>MAHE</i>	3/24

STD. PLAN NO.  
**T08-31**