

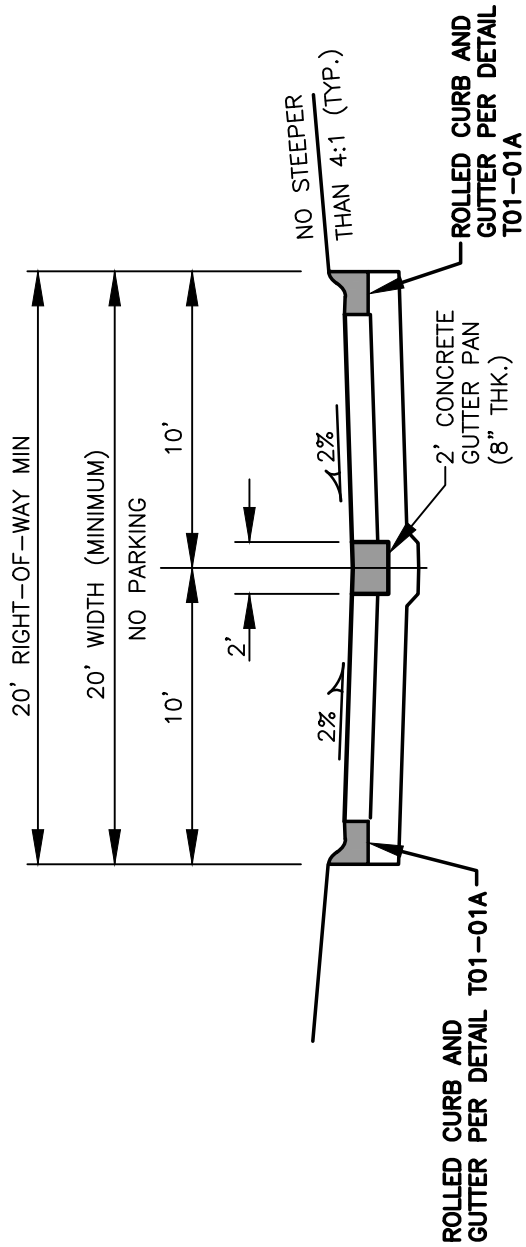


CITY OF VANCOUVER
DEPARTMENT OF PUBLIC WORKS
TRANSPORTATION DIVISION

ALLEY

DRAWN BY	APPROVED BY	APPROVAL DATE
CDC	<i>M.H.H.</i>	8/04
REVISION	APPROVED BY	APPROVAL DATE
7	<i>M.H.H.</i>	3/24

STD. PLAN NO.
T10-19



AASHTO SOIL TYPE	ASPHALT THICKNESS	BASE ROCK THICKNESS
A-1 TO A-5	0.40'	0.65'
A-6	0.30'	0.75'
A-7	NO SECTION ESTIMATED	NO SECTION ESTIMATED
OTHER	NO SECTION ESTIMATED	NO SECTION ESTIMATED

NOTES:

1. ADDITIONAL RIGHT-OF-WAY MAY BE REQUIRED AT CURVES AND CONNECTIONS TO STREETS.
2. SEE STANDARD PLAN T10-00 FOR GENERAL NOTES.