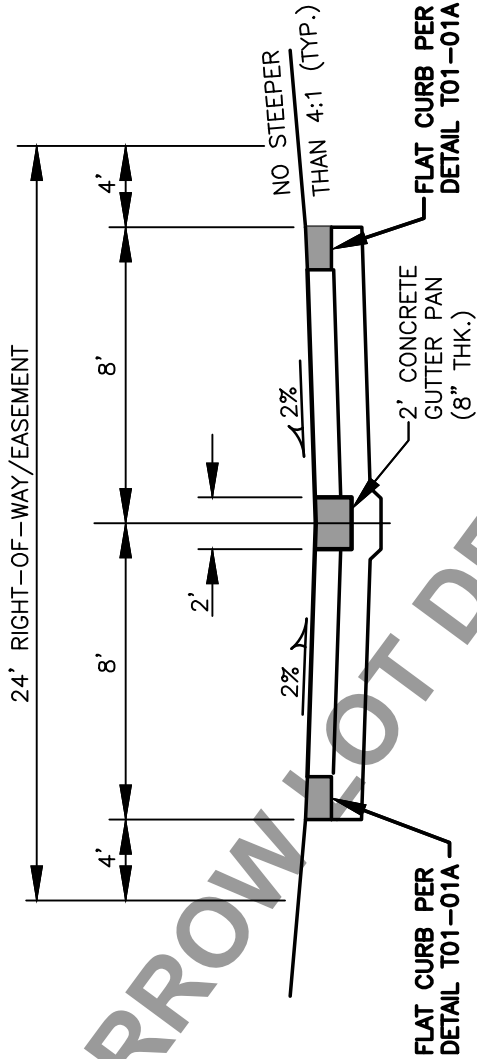


FOR NARROW LOT DESIGN PROJECTS ONLY



AASHTO SOIL TYPE	ASPHALT THICKNESS	BASE ROCK THICKNESS
A-1 TO A-5	0.40'	0.75'
A-6	0.40'	0.85'
A-7	0.45'	1.25'
OTHER	NO SECTION ESTIMATED	

NOTES:

1. ADDITIONAL RIGHT-OF-WAY MAY BE REQUIRED AT CURVES AND CONNECTIONS TO STREETS.
2. SEE **NARROW LOT ALLEY PLAN DETAIL T10-25A**.
3. SEE STANDARD PLAN T10-00 FOR GENERAL NOTES.



CITY OF VANCOUVER
DEPARTMENT OF PUBLIC WORKS
TRANSPORTATION DIVISION

NARROW LOT ALLEY SECTION

DRAWN BY	APPROVED BY	APPROVAL DATE
CDC	<i>M.H.H.</i>	2/07
REVISION	APPROVED BY	APPROVAL DATE
7	<i>M.H.H.</i>	3/24

STD. PLAN NO.
T10-25B