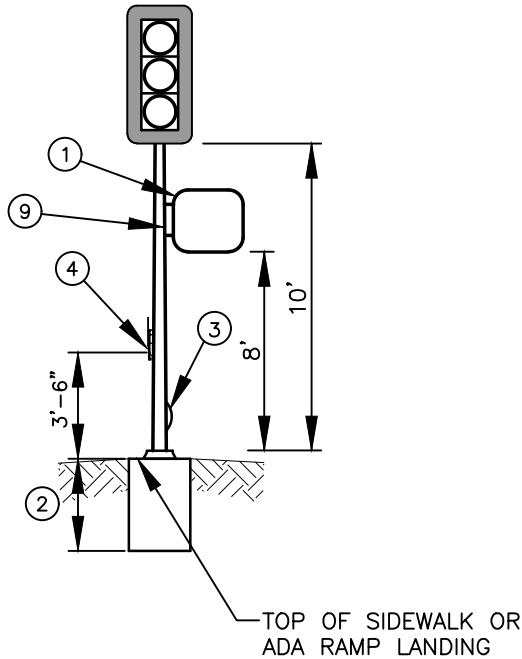
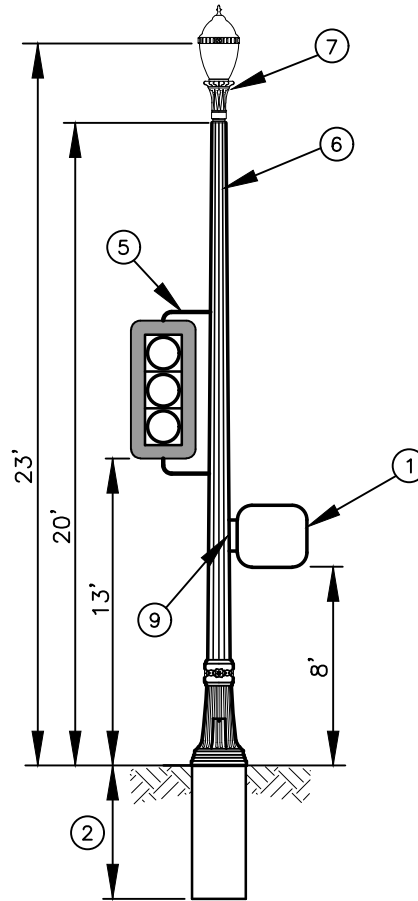


**TYPE E MOUNT**



**TYPE I**



**TYPE I D**

**NOTES:**

- ① PEDESTRIAN SIGNAL MOUNTED ON SIDE OF POLE USING WSDOT TYPE E MOUNT AT ORIENTATION PER PLANS. SEE STANDARD PLAN **T20-09D**.
- ② SEE **TYPE PPB, TYPE PS AND TYPE I TRAFFIC SIGNAL POLE FOUNDATION STANDARD PLAN T20-16** AND SPECIFICATIONS FOR FOUNDATION INFORMATION.
- ③ HAND HOLE WITH COVER.
- ④ PUSH BUTTON PER PLANS.
- ⑤ USE WSDOT TYPE K MOUNT FOR SIDE MOUNTED VEHICLE SIGNAL. SEE WSDOT STANDARD PLAN J-75.10.
- ⑥ USE TYPE D LIGHT STANDARD FOR TYPE I D TRAFFIC SIGNAL STANDARD.
- ⑦ PROVIDE 110 V AC RECEPTACLE.
- ⑧ SLIPFITTER AT TOP OF POLE.
- ⑨ USE WSDOT TYPE E MOUNT FOR SIDE MOUNT PEDESTRIAN SIGNAL. SEE WSDOT STANDARD PLAN J-75.10.

I:\CITYAPPS\AUTOCAD\STD\_DETAILS\DRAWING\_FILES\T20-04.DWG



**TYPE I AND I-D TRAFFIC SIGNAL STANDARDS**

CITY OF VANCOUVER  
DEPARTMENT OF PUBLIC WORKS  
TRANSPORTATION DIVISION

DRAWN BY	APPROVED BY	APPROVAL DATE
CDC	<i>[Signature]</i>	8/04
REVISION	APPROVED BY	APPROVAL DATE
6	<i>[Signature]</i>	3/24

STD. PLAN NO.  
**T20-04**