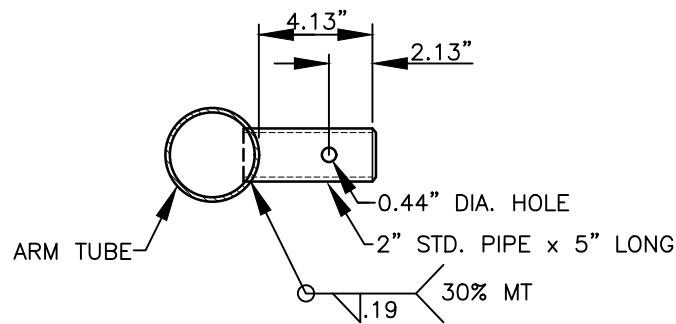


I:\CITYAPPS\AUTOCAD\STD_DETAILS\DRAWING_FILES\T20-13.DWG



SIDE VIEW

NOTE:
 ALL UNUSED TENONS
 SHALL BE COVERED WITH
 UV RESISTANT CAPS.



MAST ARM TENON

CITY OF VANCOUVER
 DEPARTMENT OF PUBLIC WORKS
 TRANSPORTATION DIVISION

DRAWN BY	APPROVED BY	APPROVAL DATE
CDC		8/04
REVISION	APPROVED BY	APPROVAL DATE
7		3/24

STD. PLAN NO.
T20-13