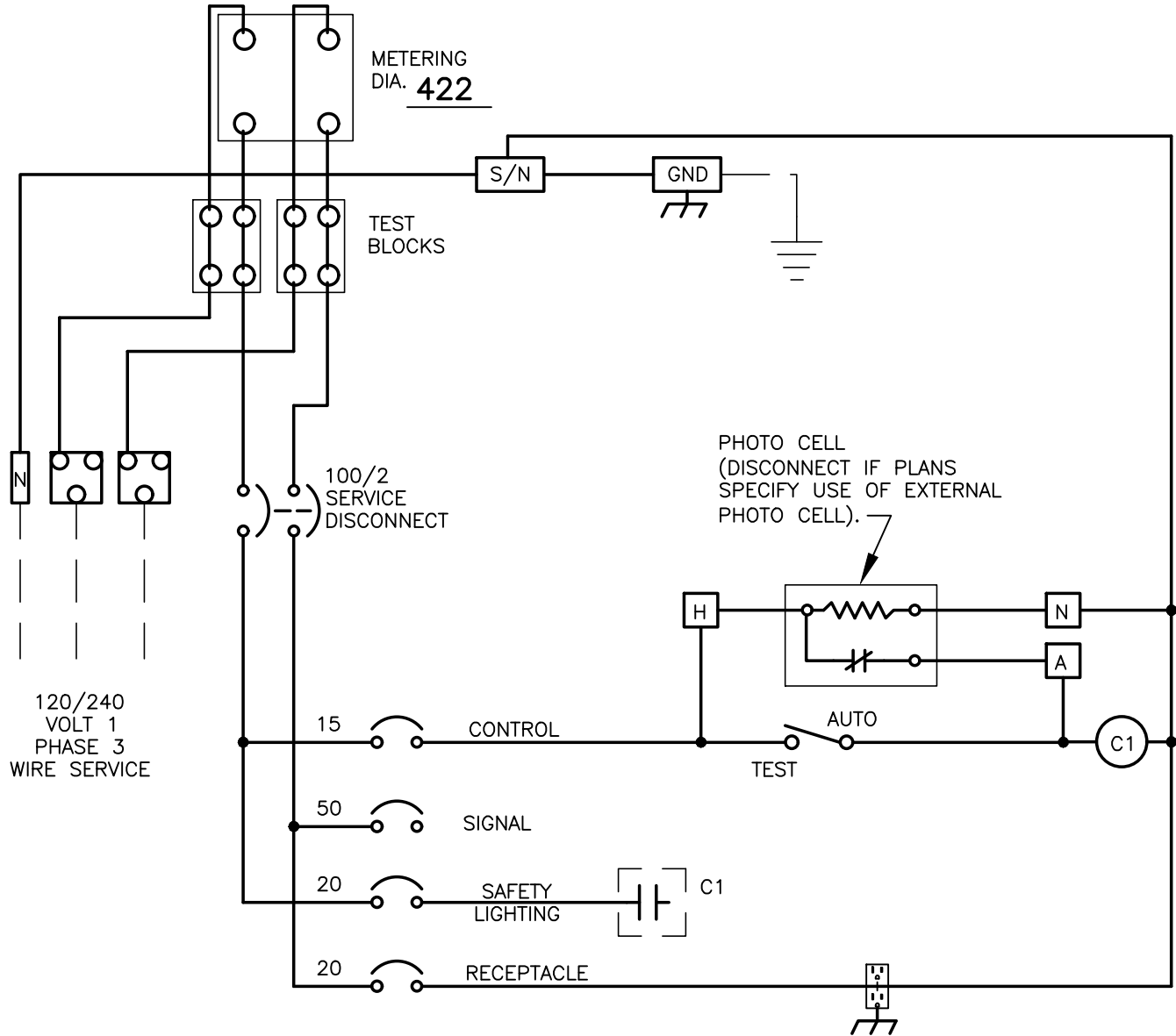


I:\CITYAPPS\AUTOCAD\STD_DETAILS\DRAWING_FILES\T20-39B.DWG



NOTE:

SEE STANDARD PLAN **T20-39A** FOR SERVICE CABINET DETAILS.



TRAFFIC SIGNAL SERVICE WIRING DIAGRAM

CITY OF VANCOUVER
DEPARTMENT OF PUBLIC WORKS
TRANSPORTATION DIVISION

DRAWN BY	APPROVED BY	APPROVAL DATE
CDC		8/04
REVISION	APPROVED BY	APPROVAL DATE
7		3/24

STD. PLAN NO.

T20-39B